



## Cartridge Valves, Bodies & Accessories

Effective July 2010  
*Excludes GST*

**HYDRAULIC  
CARTRIDGES  
AUSTRALIA**

# For Your Information

Sales of merchandise are in accordance with Hydraulic Cartridges Australia Standard Trading Terms and Conditions, a copy of which is located at the rear of this book.

Prices are subject to change without notice.

Current and up to date information is available from [www.sunsales.com.au](http://www.sunsales.com.au).

Prices listed are ex works.

Prices are exclusive of GST.

Extra care has been taken in the preparation of this price list, however, Hydraulic Cartridges Australia cannot be held responsible for any typographical errors or omissions.

List prices as detailed are recommended prices only - there is no obligation to comply with the recommendation.

Prices for items not listed are available on request. If you are looking for an item not listed in this Price List please contact Hydraulic Cartridges Australia.

# Contents

<b>PRODUCT</b>	<b>PAGES</b>
For Your Information .....	2
Cartridges .....	5-20
Manifolds and Bodies .....	21-32
Aluminum Bodies .....	22-27
Steel Bodies .....	27-31
Aluminium Assemblies .....	31-31
Steel Assemblies .....	31-32
Spare Parts and Accessories .....	33-35
Amplifiers and Accessories .....	36-37
About Sun Hydraulics .....	38
Credit Account Application .....	43
Terms and Conditions .....	43

# A Significant Advantage: Sun's Floating Style Screw-in Cartridge

The floating style cartridge construction was pioneered by Sun Hydraulics and provides performance and reliability advantages compared to competitors' product offerings.

The Sun cartridge has a free floating nose, allowing the close tolerance working parts to "float" in the body. This design significantly reduces the cartridge torque sensitivity and tendency of the internal moving parts to bind.

The cartridge valves can be removed from their cavities for cleaning or inspection without changing the settings or breaking any piping.

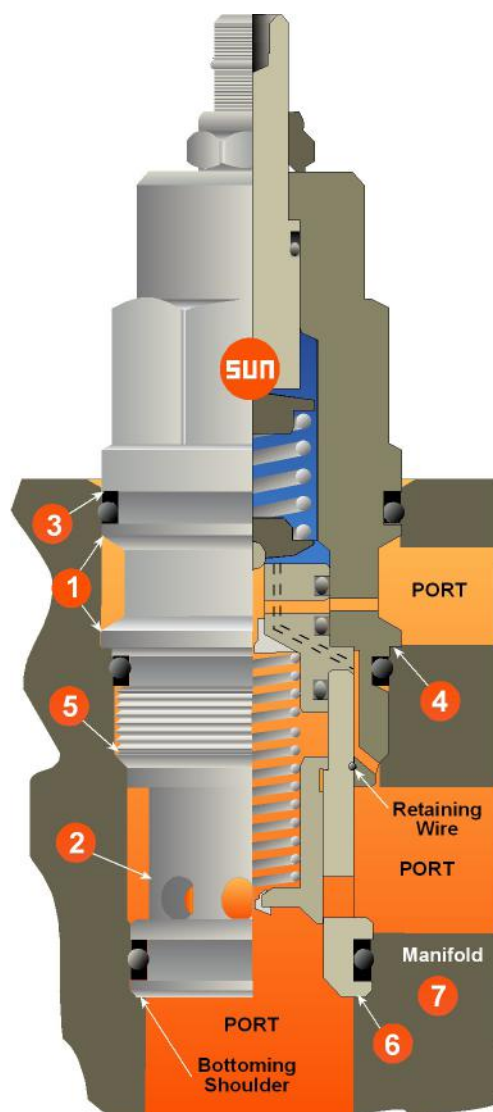
The cartridge valve internal components are heat treated for wear, impact, and fatigue resistance which extends the life of the cartridge.

Every cartridge receives a functional hydraulic test prior to shipment.

The Sun cartridge valve design allows engineers to create systems that result in maximum flow and minimum pressure drop with the greatest efficiency in space and ease of cartridge installation.

## Overview of current range:

- Relief cartridge valves
- Sequence cartridge valves
- Reducing and reducing/relieving cartridge valves
- Pilot operated check cartridge valves
- Counterbalance cartridge valves
- Check cartridge valves
- Flow control cartridge valves
- Priority flow cartridge valves
- Flow divider/combiner cartridge valves
- Logic elements
- Directional cartridge valves
- Solenoid operated cartridge valves
- Pilot control cartridge valves
- Shuttle cartridge valves
- Circuit savers
- Custom manifold assemblies



Part Number	Description	List Price (ex GST)
CABG LHN	C/B 4.5:1 VENTED 0-30LPM T11A	\$256
CACA LHN	C/B 3:1 VENTED 3 PORT T11A	\$309
CACA LIN	C/B 3:1 VENTED 3 PORT T11A	\$309
CACG LFN	C/B 5:1 VENTED 3 PORT T11A	\$330
CACG LGN	C/B 5:1 VENTED 3 PORT T11A	\$318
CACG LGV	C/B 5:1 VENTED 3 PORT T11A	\$338
CACK LHN	C/B 1:1 VENTED 3 PORT T11A	\$318
CACL LGN	C/B 2:1 VENTED 3 PORT T11A	\$318
CAEA LHN	C/B 3:1 VENTED 3 PORT T2A	\$444
CAEA LIN	C/B 3:1 VENTED 3 PORT T2A	\$444
CAEG LGN	C/B 5:1 VENTED 3 PORT T2A	\$452
CAEK LHN	C/B 1:1 VENTED 3 PORT T2A	\$452
CAEL LFN	C/B 2:1 VENTED 3 PORT T2A	\$464
CAEL LGN	C/B 2:1 VENTED 3 PORT T2A	\$452
CAGA LHN	C/B 3:1 VENTED 3 PORT T17A	\$748
CAGA LIN	C/B 3:1 ATMO VENT T17A	\$748
CAGG LFN	C/B 5:1 VENTED 3 PORT T17A	\$768
CAGG LGN	C/B 5:1 VENTED 3 PORT T17A	\$756
CAGK LHN	C/B 1:1 VENTED 3 PORT T17A	\$756
CAGL LGN	C/B 2:1 VENTED 3 PORT T17A	\$756
CAIA LHN	C/B 3:1 VENTED 3 PORT T19A	\$1,486
CAIA LIN	C/B 3:1 ATMO VENT T19A	\$1,486
CAIG LGN	C/B 4.5:1 VENTED 3 PORT T19A	\$1,495
CAIK LHN	VENTED COUNTERBALANCE VALVE	\$1,495
CAIL LGN	C/B 2:1 VENTED 3 PORT T19A	\$1,495
CBBA LBN	C/B 3:1 0-15 LPM T11A	\$200
CBBA LHN	C/B 3:1 0-15 LPM T11A	\$188
CBBA LHV	C/B 3:1 0-15 LPM T11A	\$208
CBBB LHN	C/B 40LPM 1.5:1 SEMI-REST T11A	\$197
CBBB LIN	C/B 40LPM 1.5:1 SEMI-REST T11A	\$197
CBBC LBN	C/B 3:1 0-40 LPM T11A	\$200
CBBC LHN	C/B 3:1 0-40 LPM T11A	\$188
CBBG LJN	C/B 40LPM 1.5:1 SEMI-REST T11A	\$196
CBBG LKN	C/B 0-40LPM 1.5:1 SEMI-REST	\$196
CBBL LJN	C/B 40LPM 2.3:1 SEMI-REST T11A	\$205
CBCA CIN	C/B 3:1 0-60 LPM T11A	\$208
CBCA LAN	C/B 3:1 0-60 LPM T11A	\$200
CBCA LAV	C/B 3:1 0-60 LPM T11A	\$220
CBCA LBN	C/B 3:1 0-60 LPM T11A	\$200
CBCA LBV	C/B 3:1 0-60 LPM T11A	\$220
CBCA LHN	C/B 3:1 0-60 LPM T11A	\$188
CBCA LHP	C/B 3:1 0-60 LPM T11A S/S	\$957
CBCA LHV	C/B 3:1 0-60 LPM T11A	\$208
CBCA LIN	C/B 3:1 0-60 LPM T11A	\$188

Part Number	Description	List Price (ex GST)
CBCA XNN	C/B 3:1 0-60LPM T11A FIXED SET	\$172
CBCG LCN	C/B 4.5:1 0-60 LPM T11A	\$208
CBCG LDN	C/B 4.5:1 0-60 LPM T11A	\$208
CBCG LJN	C/B 4.5:1 0-60 LPM T11A	\$196
CBCG LJP	C/B 4.5:1 0-60 LPM T11A S/S	\$992
CBCG LJV	C/B 4.5:1 0-60 LPM T11A	\$216
CBCG LKN	C/B 4.5:1 0-60 LPM T11A	\$196
CBCH LCN	C/B 10:1 0-60 LPM T11A	\$208
CBCH LCV	C/B 10:1 0-60 LPM T11A	\$228
CBCH LDN	C/B 10:1 0-60 LPM T11A	\$208
CBCH LJN	C/B 10:1 0-60 LPM T11A	\$196
CBCH LJP	C/B 10:1 0-60 LPM T11A S/S	\$992
CBCH LJV	C/B 10:1 0-60LPM T11A	\$216
CBCH LKN	C/B 10:1 0-60 LPM T11A	\$196
CBCL LDN	C/B 2.3:1 0-60 LPM T11A	\$220
CBCY LHN	C/B 2:1 0-60 LPM T11A	\$197
CBDA LHN	C/B RESTRICTIVE 3:1 T2A	\$290
CBDC LHN	C/B SEM1/RES3:1 T2A	\$290
CBDD LJN	C/B SEM1/RES4.5:1 T2A	\$290
CBDL LJN	C/B SEM1/RES2.3:1 T2A	\$300
CBEA CAN	C/B 3:1 0-120 LPM T2A	\$303
CBEA LAN	C/B 3:1 0-120 LPM T2A	\$283
CBEA LAV	C/B 3:1 0-120 LPM T2A	\$303
CBEA LBN	C/B 3:1 0-120 LPM T2A	\$283
CBEA LHN	C/B 3:1 0-120 LPM T2A	\$271
CBEA LHV	C/B 3:1 0-120 LPM T2A	\$291
CBEA LIN	C/B 3:1 0-120 LPM T2A	\$271
CBEB LHN	C/BAL 1.5:1 0-120 LPM T2A	\$280
CBEG LCN	C/BAL 4.5:1 0-120 LPM T2A	\$291
CBEG LDN	C/B 4.5:1 0-120LPM T2A	\$291
CBEG LIN	C/BAL 4.5:1 0-120 LPM T2A	\$279
CBEG LJN	C/BAL 4.5:1 0-120 LPM T2A	\$279
CBEG LJV	C/B 4.5:1 0-120 LPM T2A	\$299
CBEG LKN	C/B 4.5:1 0-120 LPM T2A	\$279
CBEG LKV	C/B 4.5:1 0-120 LPM T2A	\$299
CBEG RJV	C/B 4.5:1 0-120 LPM T2A	\$311
CBEH LCN	C/B 10:1 0-120 LPM T2A	\$291
CBEH LCV	C/B 10:1 0-120 LPM T2A	\$311
CBEH LDN	C/B 10:1 0-120 LPM T2A	\$291
CBEH LJN	C/B 10:1 0-120 LPM T2A	\$279
CBEH LJV	C/B 10:10-120 LPM T2A	\$299
CBEH LKN	C/B 10:1 0-120 LPM T2A	\$279
CBEW LCN	C/B 1:1 0-120LPM T2A	\$291
CBEW LJN	C/B 1:1 0-120LPM T2A	\$279
CBEY LHN	C/B 2:1 0-120LPM T2A	\$280

Part Number	Description	List Price (ex GST)
CBFA LHN	C/B SEMI-RESTRICTIVE T17A	\$536
CBFD LJN	C/B SEM1\RES 4.5:1 T17A	\$555
CBFG LJN	C/BAL RESTR 60LPM T17A 4.5:1	\$546
CBGA LAN	C/B 3:1 0-240 LPM T17A	\$548
CBGA LAV	C/B 3:1 0-240 LPM T17A	\$568
CBGA LHN	C/B 3:1 0-240 LPM T17A	\$536
CBGA LHV	C/B 3:1 0-240 LPM T17A	\$556
CBGA LIN	C/B 3:1 0.240 LPM T17A	\$536
CBGA LIV	C/B 3:1 0-240 LPM T17A	\$556
CBGB LAN	C/B 1.5:1 0-240 LPM T17A	\$558
CBGB LHN	C/B 1.5:1 0-240 LPM T17A	\$546
CBGG LCN	C/B 4.5:1 0-240 LPM T17A	\$558
CBGG LCV	C/B 4.5:1 0-240 LPM T17A	\$578
CBGG LDN	C/B 4.5:1 0-240LPM T17A	\$558
CBGG LJN	C/B 4.5:1 0-240 LPM T17A	\$546
CBGG LKN	C/B 4.5:1 0-240LPM T17A	\$546
CBGH LCN	C/B 10:1 0.240 LPM T17A	\$558
CBGH LDN	C/B 10:1 0-240LPM T17A	\$558
CBGH LDV	C/B 10:1 0-240LPM T17A	\$578
CBGH LJN	C/B 10:1 0-240 LPM T17A	\$546
CBGH LKN	C/B 10:1 0-240LPM T17A	\$546
CBGL LCN	C/B 2.3:1 0-250LPM T17A	\$570
CBGL LJN	C/B 2.3:1 0-250LPM T17A	\$558
CBGY LHN	C/B 2.1 0.240 LPM T17A	\$546
CBHG LJN	C/B 4.5:1 0-80 LPM T-19A	\$1,160
CBIA LAV	C/B 3:1 0-480 LPM T19A	\$1,183
CBIA LBV	C/B 3:1 0-480 LPM T19A	\$1,183
CBIA LHN	C/B 3:1 0-480 LPM T19A	\$1,151
CBIA LHV	C/B 3:1 0-480LPM T19A	\$1,171
CBIA LIN	C/B 3:1 0-480LPM T19A	\$1,151
CBIA LIV	C/B 3:1 0-480 LPM T19A	\$1,171
CBIG LCN	C/B 4.5:1 0-480LPM T19A	\$1,172
CBIG LCV	C/B 4.5:1 0-480 LPM T19A	\$1,192
CBIG LJN	C/B 4.5:1 0-480 LPM T19A	\$1,160
CBIG LJV	C/B 4.5:1 0-480 LPM T19A	\$1,180
CBIG LKN	C/B 4.5:1 0-480LPM T19A	\$1,160
CBIG LKV	C/B 4.5:1 0-480LPM T19A	\$1,180
CBIH LCV	C/B 10:1 0-480 LPM T19A	\$1,192
CBIH LJV	C/B 10:1 0-480 LPM T19A	\$1,180
CBIH LKN	C/B 10:1 0-480 LPM T19A	\$1,160
CBIL LCN	C/B 2.3:1 0-480 LPM T19A	\$1,186
CBIL LJN	C/B 2.3:1 0-480 LPM T19A	\$1,174
CCCA LBN	C/BAL W/O PILOT ASSIST T11A	\$223
CCCA LHN	C/BAL W/O PILOT ASSIST T11A	\$211
CCGA LIN	C/BAL W/O PILOT ASSIST T17A	\$560

Part Number	Description	List Price (ex GST)
CDA A BBN	BACK TO BACK CHECK T13A	\$116
CDA A EBN	BACK TO BACK CHECK T13A	\$116
CDA A EBV	BACK TO BACK CHECK T13A	\$130
CDAB XBN	BACK TO BACK CHECK T11A	\$90
CDAD XBN	BACK TO BACK CHECK CART T11A	\$109
CKBB LCN	PILOT OP CHECK CART T163A	\$143
CKBB XCN	PTO CHECK CART 3:1 T163A	\$111
CKBD XCN	SERIES 0 P.O. CHECK	\$115
CKCA XAN	CART PTO CK 3:1 T11A	\$209
CKCA XCN	CARTRIDGE	\$197
CKCB LAN	N/V PILOT TO OPEN CK T11A	\$157
CKCB LBN	N/V PILOT TO OPEN CK T11A	\$153
CKCB LCN	N/V PILOT TO OPEN CK T11A	\$145
CKCB LCV	N/V PILOT TO OPEN CK T11A	\$165
CKCB XAN	N/V PILOT TO OPEN CK T11A	\$125
CKCB XAP	N/V PILOT TO OPEN CK T11A S/S	\$541
CKCB XAV	N/V PILOT TO OPEN CK T11A	\$145
CKCB XBN	N/V PILOT TO OPEN CK T11A	\$121
CKCB XCN	N/V PILOT TO OPEN CK T11A	\$113
CKCB XCV	N/V PILOT TO OPEN CK T11A	\$133
CKCB XDN	N/V PILOT TO OPEN CK T11A	\$121
CKCB XEN	N/V PILOT TO OPEN CK T11A	\$113
CKCC XAN	N/V PILOT TO OPEN CHECK VALVE	\$213
CKCC XEN	N/V PILOT TO OPEN CHECK VALVE	\$201
CKCD LCN	N/V PILOT TO OPEN CK T11A	\$150
CKCD LFN	N/V PILOT TO OPEN CK T11A	\$158
CKCD XAN	N/V PILOT TO OPEN CK T11A	\$130
CKCD XCN	N/V PILOT TO OPEN CK T11A	\$118
CKCD XEN	N/V PILOT TO OPEN CK T11A	\$118
CKCF SCN	N/V PILOT TO OPEN CK T11A	\$165
CKCI VCN	VENTED P/O CHECK T11A	\$152
CKCV SAN	ATMO VENTED P/O CHECK T11A	\$208
CKCV SCN	ATMO VENTED P/O CHECK T11A	\$196
CKCV XCN	ATMO VENT PILOT CHECK T11A	\$220
CKEB ECN	N/V PILOT TO OPEN CK T2A	\$193
CKEB LAN	N/V PILOT TO OPEN CK T2A	\$217
CKEB LCN	N/V PILOT TO OPEN CK T2A	\$205
CKEB XAN	N/V PILOT TO OPEN CK T2A	\$185
CKEB XBN	N/V PILOT TO OPEN CK T2A	\$181
CKEB XCN	N/V PILOT TO OPEN CK T2A	\$173
CKEB XCV	N/V PILOT TO OPEN CK T2A	\$193
CKEB XEN	N/V PILOT TO OPEN CK T2A	\$173
CKEB XFN	N/V PILOT TO OPEN CK T2A	\$181
CKED XAN	N/V PILOT TO OPEN CK T2A	\$190
CKED XCN	N/V PILOT TO OPEN CK T2A	\$178

Part Number	Description	List Price (ex GST)
CKED XFN	N/V PILOT TO OPEN CK T2A	\$186
CKED XZN	N/V PILOT TO OPEN CK T2A	\$194
CKEF SCN	N/V PILOT TO OPEN CK T2A	\$246
CKEF SCV	N/V PILOT TO OPEN CK T2A	\$266
CKEF VCN	N/V PILOT TO OPEN CK T2A	\$246
CKEI SEN	N/V PILOT TO OPEN CK T2A	\$246
CKEV XCN	ATMO VENTED P/O CHECK T2A	\$318
CKGB LAN	N/V PILOT TO OPEN CK T17A	\$372
CKGB XAN	N/V PILOT TO OPEN CK T17A	\$340
CKGB XAV	N/V PILOT TO OPEN CK T17A	\$360
CKGB XCN	N/V PILOT TO OPEN CK T17A	\$328
CKGB XEN	N/V PILOT TO OPEN CK T17A	\$328
CKGB XFN	N/V PILOT TO OPEN CK T17A	\$336
CKGD XAN	N/V PILOT TO OPEN CK T17A	\$344
CKGD XCN	N/V PILOT TO OPEN CK T17A	\$332
CKGD XEN	N/V PILOT TO OPEN CK T17A	\$332
CKGF SCN	N/V PILOT TO OPEN CK T17A	\$394
CKGV XCN	ATMO VENTED P/O CHECK T17A	\$552
CKIB LCV	N/V PILOT TO OPEN CK T19A	\$720
CKIB XCN	CHECK VALVE T19A	\$668
CKIB XCV	N/V PILOT TO OPEN CK T19A	\$688
CKIB XEV	N/V PILOT TO OPEN CK T19A	\$688
CKIB XFN	N/V PILOT TO OPEN CK T-19A	\$676
CKID XAN	PILOT OPERATED CHECK	\$685
CKID XCN	PILOT OPERATED CHECK	\$673
CKIV XCN	N/V PILOT TO OPEN ATMOS VENT	\$978
CNBC XAN- 0.0mm	CHECK W - BYPASS ORIFICE T162A	\$100
CNCC XCN- 0.0mm	FIXED ORIFICE FLOW CTL W-CK	\$92
CNDC XEN- 0.0mm	CHECK CARTRIDGE W- ORIFICE	\$92
CNEE XCN- 0.0mm	CHECK CARTRIDGE W - ORIFICE	\$182
CNGC XCN- 0.0mm	CHECK CARTRIDGE W - ORIFICE	\$239
CNHC XAN	VALVE CHECK	\$247
CNJC XCN- 0.0mm	CHECK CARTRIDGE W - ORIFICE	\$462
COBA XCN	PILOT TO CLOSE CHECK T163	\$134
CODA XAN	PILOT TO CLOSE CHECK T11A	\$142
CODA XBN	PILOT TO CLOSE CHECK VALVE	\$142
CODA XCN	PILOT TO CLOSE CHECK T11A	\$134
CODA XEN	PILOT TO CLOSE CHECK T11A	\$134
CODA XZN	PILOT TO CLOSE CHECK T11A	\$142
CODD XDN	20:1 PILOT TO CLOSE CHECK T11A	\$180
COFA XAN	PILOT TO CLOSE CHECK T2A	\$199
COFA XCN	PILOT TO CLOSE CHECK T2A	\$191
COFA XEN	PILOT TO CLOSE CHECK T2A	\$191

Part Number	Description	List Price (ex GST)
COFA XFN	PILOT TO CLOSE CHECK T2A	\$199
COFO XDN	PILOT TO CLOSE CHECK T2A	\$358
COHA XAN	PILOT TO CLOSE CHECK T17A	\$362
COHA XAV	PILOT TO CLOSE CHECK T17A	\$382
COHA XCN	PILOT TO CLOSE CHECK T17A	\$354
COHA XEN	PILOT TO CLOSE CHECK T17A	\$354
COHA XFN	PILOT TO CLOSE CHECK T17A	\$362
COHA XZN	PILOT TO CLOSE CHECK T17A	\$362
COJA XAV	PILOT TO CLOSE CHECK T19A	\$736
COJA XCN	PILOT TO CLOSE CHECK T19A	\$708
COJA XCV	PILOT TO CLOSE CHECK T19A	\$728
COJA XEN	VALVE CHECK PILOT TO CLOSE	\$708
CSAA BXN	VALVE SHUTTLE T13A	\$100
CSAA EXN	VALVE SHUTTLE T13A	\$100
CSAB BXN	VALVE SHUTTLE T11A	\$94
CSAB XXN	VALVE SHUTTLE T11A	\$74
CSAB XXV	VALVE SHUTTLE T11A	\$94
CSAC BXN	VALVE SHUTTLE T13A	\$100
CSAC EXN	VALVE SHUTTLE T13A	\$100
CSAD XXN	VALVE SHUTTLE T11A	\$74
CSAM XXN	SHUTTLE SIG/EXT SINGLE BALL	\$72
CSAW BXN	SHUTTLE CARTRIDGE T162A	\$87
CSAW EXN	SHUTTLE CARTRIDGE T162A	\$87
CSAX XXN	SHUTTLE CARTRIDGE T163A	\$60
CSAY BXN	VALVE SHUTTLE T162A 5LPM	\$87
CSAZ XXN	VALVE SHUTTLE T163A 5LPM	\$60
CSZN XXN	SHUTTLE INSERT STYLE T382A	\$53
CVCV LDN	V PILOT TO OPEN CHECK T21A	\$249
CVCV XAN	V PILOT TO OPEN CHECK T21A	\$221
CVCV XCN	V PILOT TO OPEN CHECK T21A	\$209
CVCV XDN	V PILOT TO OPEN CHECK T21A	\$217
CVCV XDV	V PILOT TO OPEN CHECK T21A	\$241
CVCV XEN	V PILOT TO OPEN CHECK T21A	\$209
CVEV LCN	V PILOT TO OPEN CHECK T22A	\$335
CVEV XAN	V PILOT TO OPEN CHECK T22	\$315
CVEV XBN	V PILOT TO OPEN CHECK T22A	\$311
CVEV XCN	V PILOT TO OPEN CHECK T22	\$303
CVGV XCN	V PILOT TO OPEN CHECK T23	\$520
CVGV XCV	V PILOT TO OPEN CHECK T23	\$544
CVGV XFN	VENTED TO OPEN CHACK	\$528
CVIV LCN	V PILOT TO OPEN CHK T24	\$979
CVIV XCN	V PILOT TO OPEN CHECK T24	\$947
CWCA LHN	C/B VENTED 0-60 LPM T21A 3:1	\$306
CWCA LHV	C/B VENTED 0-60 LPM T21A 3:1	\$330
CWCA LIN	C/B VENTED 0-60 LPM T21A 3:1	\$306

Part Number	Description	List Price (ex GST)
CWCG LFN	C/B VENTED 0-60 LPM T21A 5:1	\$328
CWCG LGV	C/B VENTED 0-60 LPM T21A 5:1	\$340
CWCK LHN	C/B VENTED 0-60 LPM T21A 1:1	\$316
CWCK LIN	C/B VENTED 0-60 LPM T21A 1:1	\$316
CWCL LGN	C/B VENTED 0-60 LPM T21A 2:1	\$326
CWEA LHN	C/B VENTED 0-120 LPM T22A	\$397
CWEA LIN	C/B VENTED 25 - 105 BAR T22A	\$397
CWEG LFN	C/B VENTED 0-120 LPM T22A	\$417
CWEG LGN	C/B VENTED 0-120L T22A	\$405
CWEG LGV	C/B VENTED 0-120 LPM T22A	\$429
CWEL LGN	C/B VENTED 2:1 0-120LPM T22A	\$414
CWGA LHN	C/B VENTED 0-240 LPM T23A	\$728
CWGA LIN	C/B VENTED 0-240 LPM T23A	\$728
CWGA LIV	C/B VENTED 0-240 LPM T23A	\$752
CWGG LGN	C/B VENTED 0-240 LPM T23A	\$737
CWGG LGV	C/B VENTED 0-240LPM T23A VITON	\$761
CWGL LGN	C/BAL VENTED 0-240LPM T23A	\$746
CWIA LHV	C/B VENTED 0-480 LPM T24A	\$1,469
CWIA LIN	C/B VENTED 0-480 LPM T24A	\$1,445
CWIG LGN	C/B VENTED 0-480 LPM T24A	\$1,454
CWIG LGV	C/B VENTED 0-480 LPM T24A	\$1,478
CWIL LGN	C/B 2:1 T24A	\$1,464
CXAA XBN	CHECK 20LPM T8A 1.0 BAR	\$89
CXAD XAN	CHECK CARTRIDGE T162A	\$79
CXAD XCN	CHECK CARTRIDGE T162A	\$67
CXAD XDN	CHECK VALVE 50PSI T163A CXAD	\$75
CXBA XAN	CHECK 10GPM T162A	\$76
CXBA XBN	CHECK CARTRIDGE T162A	\$84
CXBA XCN	CHECK 10GPM T162A 2 BAR	\$76
CXBA XDN	CHECK CARTRIDGE T162A	\$84
CXBA XFN	CHECK 10GPM T162A 7.0 BAR	\$84
CXBA XZN	CHECK CARTRIDGE T162A	\$92
CXCD LAN	CHECK 5000 PSI T13A	\$120
CXCD XAN	CHECK 5000PSI T13A 0.3BAR	\$88
CXCD XBN	CHECK 5000 PSI T13A 1 BAR	\$84
CXCD XCN	CHECK 5000 PSI T13A 2 BAR	\$76
CXCD XDN	CHECK 5000 PSI T13A 3.5 BAR	\$84
CXCD XEN	CHECK 5000 PSI T13A 5 BAR	\$76
CXCD XFN	CHECK 5000 PSI T13A 7 BAR	\$84
CXCE XCN	VALVE CHECK T11A FRE FLO N-S	\$104
CXCE XFN	VALVE CHECK T11A FREE FLO N-S	\$112
CXDA LCN	CHECK CARTRIDGE	\$108
CXDA XAN	CHECK 5000PSI T13A 0.3BAR	\$76
CXDA XAV	CHECK 5000PSI T13A 0.3BAR VITO	\$90
CXDA XBN	CHECK 5000PSI T13A 1 BAR	\$84

Part Number	Description	List Price (ex GST)
CXDA XCN	CHECK 5000 PSI T13A 2 BAR	\$76
CXDA XCV	CHECK CARTRIDGE T13A	\$90
CXDA XDN	CHECK 5000PSI T13A 3.5BAR	\$84
CXDA XEN	CHECK 5000 PSI T13A 5 BAR	\$76
CXDA XFN	CHECK CARTRIDGE T13A	\$84
CXDA XGN	CHECK 5000PSI T13A 10.5BAR	\$104
CXDA XZN	CHECK 3000PSI T5A 0.07BAR	\$92
CXDA XZV	CHECK 3000PSI T5A 0.07BAR	\$106
CXDF XHN	HOT OIL CHECK T10A 2 PORT	\$130
CXED XAN	CHECK 5000 PSI T5A 0.3BAR	\$121
CXED XCN	CHECK 5000 PSI T5A 2 BAR	\$109
CXED XCV	CHECK 5000 PSI T5A 2 BAR	\$123
CXED XDN	CHECK 5000 PSI T5A 3.5BAR	\$117
CXED XEN	CHECK 5000 PSI T5A	\$109
CXEE XCN	VALVE CHECK T2A FRE FLO N-S	\$147
CXFA XAN	CHECK 5000 PSI T5A 0.3BAR	\$109
CXFA XAV	CHECK 5000 PSI T5A 0.3BAR	\$123
CXFA XBN	CHECK 5000 PSI T5A 1 BAR	\$117
CXFA XCN	CHECK 5000 PSI T5A 2 BAR	\$109
CXFA XDN	CHECK 5000 PSI T5A 3.5BAR	\$117
CXFA XEN	CHECK 5000 PSI T5A 5 BAR	\$109
CXFA XFN	CHECK 5000 PSI T5A 7 BAR	\$117
CXFA XFV	CHECK 5000 PSI T5A 7 BAR	\$131
CXFB XAN	FREE FLO CK NOSE TO SIDE	\$142
CXFF XHN	CHECK CARTRIDGE T3A	\$204
CXGD XAN	CHECK 5000PSI T16A 0.3BAR	\$233
CXGD XAV	CHECK 5000PSI T16A 0.3BAR	\$247
CXGD XCN	CHECK 5000PSI T16A 2 BAR	\$221
CXGD XCV	CHECK 5000 PSI T16A 2 BAR	\$235
CXGD XEN	CHECK 5000PSI T16A 5.0BAR	\$221
CXHA LAN	CHECK CARTRIDGE T16A	\$253
CXHA LDN	CHECK CARTRIDGE T16A	\$261
CXHA XAN	CHECK 5000PSI T16A 0.3BAR	\$221
CXHA XAV	CHECK 5000PSI T16A 0.3BAR	\$235
CXHA XBN	CHECK CARTRIDGE T16A	\$229
CXHA XCN	CHECK 5000 PSI T16A 2 BAR	\$221
CXHA XEN	CHECK 5000 PSI T16A 5 BAR	\$221
CXHA XFN	CHECK 5000 PSI T16A 7 BAR	\$229
CXHA XFV	CHECK CARTRIDGE T16A 7BAR	\$243
CXHA XGN	CHECK 5000 PSI T16A 10.5 BAR	\$229
CXHF XHN	CHECK CARTRIDGE T16A	\$378
CXID XAN	CHECK CARTRIDGE T18A	\$438
CXID XAV	CHECK CART T18A	\$452
CXID XCV	CHECK 5000 PSI T18A 2 BAR	\$440
CXJA XAN	CHECK 5000PSI T18A 0.3BAR	\$426



Part Number	Description	List Price (ex GST)
CXJA XAV	CHECK 5000PSI T18A 0.3BAR	\$440
CXJA XBN	CHECK CARTRIDGE T18A 1 BAR	\$434
CXJA XBV	CHECK 5000PSI T18A 1 BAR	\$448
CXJA XCN	CHECK CARTRIDGE T18A 2 BAR	\$426
CXJA XCV	CHECK CARTRIDGE T18A 2 BAR	\$440
CXJA XDN	CHECK CARTRIDGE T18A	\$434
CXJA XEN	CHECK 5000 PSI T18A 5 BAR	\$426
CXJA XFV	CHECK CARTRIDGE T18A 7 BAR	\$448
CXJA XZN	CHECK CARTRIDGE T18A 7 BAR	\$442
CXZA XCN	INSERT STYLE CHECK T382A	\$53
DAAA MCN	2WAY N/C T8A W/O COIL	\$345
DAAA MHN	2WAY 2POS N/O SOL CART T8A	\$345
DAAH BCN	2 WAY 2 POS N/C T8A HYD PILOT	\$345
DAAH DHN	2 WAY 2 POS N/O T8A HYD PILOT	\$345
DAAL MCN	2 WAY SOL. OPERATED DCV N/C	\$323
DAAL MHN	2 WAY N/O SOL. CART DCV T8A	\$323
DAAL SHN	N/O SOFT SHIFT T8A 2 WAY SOL	\$343
DAAL XCN	2 WAY N/C SOL T8A	\$299
DAAM DHN	SUN CARTRIDGE	\$358
DAAM LCN	2 WAY 2 POS T8A DIR/VALVE	\$358
DAAM TCN	2 WAY 2 POS T8A DIR/VALVE	\$358
DAAP PCN	2WAY 2POS PNEU PILOT T8A	\$374
DAAP PCV	2WAY 2POS PNEU PILOT T8A	\$388
DAAP PHN	2WAY 2POS PNEU PILOT T8A	\$374
DACC MCN	2 POS 2 WAY SOL N/C T13A	\$417
DACD MCN	2 POS 2 WAY N/C T13A	\$408
DACD MHN	2WAY 2POS SOLCART N/O T13A	\$408
DBAA MCN	2 POS 3 WAY SOL N/C T9A	\$407
DBAA MHN	2 POS 3 WAY SOL N/O T9A	\$407
DBAA MHV	2 POS 3 WAY SOL N/O T9A	\$427
DBAH BCN	2 POS 3WAY HYD PILOT T9A	\$397
DBAH BHN	2 POS 3 WAY HYD PILOT T9A	\$397
DBAH DCN	2 POS 3 WAY DIR V/V T9A	\$397
DBAH DHN	2 POS 3WAY HYD PILOT T9A	\$397
DBAL LHN-224	2 POS 3 WAY N/O T9A LOCK M/O	\$548
DBAL MCN	2 POS 3 WAY N/C T9A LOCK M/O	\$382
DBAL MHN	2 POS 3 WAY N/O T9A LGE ARMATU	\$382
DBAL TCN-224	2 POS 3 WAY N/C T9A TWIST M/O	\$548
DBAL XHN	2 POS 3 WAY N/O T9A	\$358
DBAM LCN	2 POS 3 WAY DIR T9A LOCK KNOB	\$433
DBAM LHN	2 POS 3 WAY DIR T9A LOCK KNOB	\$433
DBAM TCN	2 POS 3 WAY DIR T9A TWIST KNOB	\$433
DBAP PCN	3WAY 2POS PNEU PILOT T9A	\$384
DBAP PHN	3WAY 2POS PNEU PILOT T9A	\$384
DCCB DXN	4 WAY 2 POS DETENT T61A	\$469

Part Number	Description	List Price (ex GST)
DCCC XCN	4 WAY 3POS DIR CARTG T61A	\$437
DCCC XXN	4 WAY 3POS DIR CART T161A	\$457
DCCC XYN	4 WAY 3POS DIR CART T61A	\$437
DCCD XXN	4 WAY 2POS DETENT T61A	\$457
DCCF XCN	4 WAY 2POS T61A 50LPM	\$460
DCCF XXN	4 WAY 2POS T61A 50LPM	\$480
DCDC XCN	3 POS 4 WAY T62A 80LPM	\$594
DCDC XHN	3 POS 4 WAY T62A 80LPM	\$630
DCDC XNN	3 POS 4 WAY T62A 80LPM	\$614
DCDC XTN	3 POS 4 WAY T62A 80LPM	\$630
DCDC XXN	3 POS 4 WAY T62A 80LPM	\$614
DCDC XYN	3 POS 4 WAY T62A 80LPM	\$594
DCDD XHN	2 POS 4WAY DNT OP/CTR T62A	\$630
DCDF XXN	2 POS 4 WAY 120LPM T62A	\$661
DCEA XCN	DIR V/V P-OP CL/CNT T63A	\$965
DCEA XTN	4 WAY 3 POSITION PILOT TO SHI	\$1,001
DCEA XXN	DIR V/V P-OP X CENTRE T63	\$985
DCEB DXN	SUN CARTRIDGE	\$997
DCEB XCN	2 POS DETENT T63A CL-CTRE	\$965
DCEB XHN	VALVE	\$1,001
DCEC XBN	3 POS 4 WAY SPR/CEN T-63A	\$985
DCEC XCN	3 POS 4 WAY SPR/CEN T-63A	\$965
DCEC XTN	3 POS 4 WAY SPR/CEN T-63A	\$1,001
DCEC XXN	3 POS 4 WAY SPR/CEN T-63A	\$985
DCEC XYN	3 POS 4 WAY SPR/CEN T-63A	\$965
DCED XCN	2 POS/DETENT 4/W T63A	\$965
DCED XHN	2 POS/DETENT 4/W T63A	\$1,001
DCED XXN	2 POS/DETENT 4/W T63A	\$985
DCEF XXN	4WAY 2POS T63A PILOT TO SHIFT	\$1,034
DCFA XHV	T64A DIRECTIONAL CART	\$1,859
DCFB XCN	2 POS DNT DIR VALVE T64A	\$1,791
DCFB XHN	2 POS DNT DIR V/V T64A	\$1,827
DCFC XCV	3 POS 4 WAY 320LPM T64A VITON	\$1,823
DCFC XHN	3 POS 4 WAY 320LPM T64A	\$1,827
DCFC XTN	3 POS 4 WAY 320LPM T64A	\$1,827
DCFC XYN	3 POS 4 WAY 320LPM T64A	\$1,791
DCFC XYV	3 POS 4 WAY 320LPM T64A VITON	\$1,823
DCFD XCN	2 POS 4 WAY 320LPM T64A	\$1,791
DCFF XXV	2 POS 4 WAY 760LPM T64A	\$1,894
D CPA LDN	2 POS 2 WAY N/O 60L T2A	\$259
DDDC XYN	3 POS 4 WAY T52A	\$529
DFCA 8DN	2 WAY POPPET DCV WITH T8A CAV	\$144
DFCB 8DN	VALVE	\$170
DFDA 8DN	2 POS 2 WAY POPPET T5A	\$240
DFEA 8DN	2 POS 2 WAY POPPET T16A	\$392

Part Number	Description	List Price (ex GST)
DFFA 8DN	2 POS 2 WAY POPPET T18A	\$721
DKDP LAN	LOGIC ELEMENT NC T21A	\$319
DKDP LWN	LOGIC ELEMENT NC T21A	\$319
DKDR 8HN	2 POS 2 WAY NC LOGIC T21A	\$312
DKDS XHN	2 POS 2 WAY NC LOGIC T21A	\$292
DKDS XHV	2 POS 2 WAY NC LOGIC T21A	\$316
DKFC XHN	BALANCED POPPET LOGIC T2A NC	\$335
DKFP LAN	LOGIC ELEMENT N/C 120L/M	\$423
DKFP LBN	LOGIC ELEMENT N/C 120LPM T22A	\$423
DKFP LWN	LOGIC ELEMENT N/C 120L/M	\$423
DKFR 8HN	2 POS 2 WAY NC LOGIC T22A	\$416
DKFR XHN	2 POS 2 WAY NC LOGIC T22A	\$396
DKFS XHN	2 POS 2 WAY NC LOGIC T22A	\$396
DKHC EHN	LOGIC ELEMENT N/C T17A	\$562
DKHC XHN	LOGIC ELEMENT N/C T17A	\$586
DKHP LAN	LOGIC ELEMENT N/C T23A	\$749
DKHR 8HN	2 POS 2 WAY NC LOGIC T23A	\$724
DKHS XHN	2 POS 2 WAY NC LOGIC T23A	\$704
DKJB XHN	LOGIC ELEMENT N/C 3 PORT T24A	\$1,035
DKJC EHN	LOGIC ELEMENT N/C T19A	\$1,028
DKJC XHN	LOGIC ELEMENT N/C T19A	\$1,052
DKJP LAN	LOGIC ELEMENT N/C T24A	\$1,357
DKJP LDN	LOGIC ELEMENT N/C T24A	\$1,365
DKJR 8HN	2 POS 2 WAY NC LOGIC T24A	\$1,292
DKJS XHN	2 POS 2 WAY NC LOGIC T24A	\$1,272
DKJS XHV	2 POS 2 WAY NC LOGIC T24A	\$1,296
DLDA MCN	VALVE SOL N/CLOSED T13A	\$226
DLDA MHN	VALVE SOL N/OPEN T13A	\$226
DMDA MAN	VALVE SOL N/OPEN 2-1 T11A	\$257
DMDA MNN	2 POS 3 WAY SOL CART T11A	\$257
DMDA MNV	2 POS 3 WAY SOL CART T11A	\$277
DMDA MRN	2 POS 3 WAY SOL CART T11A	\$257
DMDA ZBN-924	2POS 3WAY T11A C/W POS SENSOR	\$2,329
DNDA MCN	2 POS 4 WAY SOL V/V T31A	\$295
DNDA MEN	2 POS 4 WAY SOL V/V T31A	\$295
DNDA MNN	2 POS 4 WAY SOL V/V T31A	\$295
DNDA XCN-848	CART WITH SOLENOID	\$372
DNDA XEN-848	VALVE 4WAY 2POS SOLENOID	\$372
DNDA XNN-848	VALVE 4WAY 2POS SOLENOID	\$372
DNDC XCN	3 POS 4 WAY CARTRIDGE	\$420
DNDC XCN-848	VALVE 3 POS 4WAY SOLENOID	\$622
DNDC XHN	3 POS 4 WAY CARTRIDGE	\$456
DNDC XTN	3 POS 4 WAY CARTRIDGE	\$456
DNDC XYN	3 POS 4 WAY CARTRIDGE	\$420

Part Number	Description	List Price (ex GST)
DNDM LNN	VALVE 4WAY 2POS SOLENOID	\$311
DNDY LXN	VALVE SOLENOID DIVERTER T61A	\$757
DNDY XXN	VALVE SOLENOID DIVERTER T61A	\$641
DODC EHN	BALANCED LOGIC T11A NO	\$246
DODS XHN	2 POS 2WAY N/O LOGIC T21A	\$296
DOFC XHN	2 POS 2WAY N/O EXT VENT T22A	\$338
DOFS XHN	2 POS 2WAY N/O LOGIC T22A	\$405
DOHC EHN	LOGIC ELEMENT N/O T17A	\$562
DOHC XHN	VNTD N/OBALANCED LOGIC T17A	\$586
DOHS XHN	2 POS 2WAY N/O LOGIC T23A	\$724
DOHS XHV	2 POS 2 WAY N/O LOGIC T32A VIT	\$748
DOJC XHN	LOGIC ELEMENT N/C	\$1,052
DOJR 8HN	LOGIC ELEMENT	\$1,334
DOJS XHN	2 POS 2WAY N/O LOGIC T24A	\$1,314
DPBA LAN	2 WAY P/OP T11A N/O	\$276
DPBA LBN	2 WAY P/OP T11A N/O	\$276
DPBA LDN	2 WAY 2POS T11A	\$284
DPBB LAN	2 WAY P/OP T11A N/C	\$276
DPBB LDN	2 WAY P/OP T11A N/C	\$284
DPBB LWN	2 WAY P/OP T11A N/C	\$276
DPBC LAN	3 WAY P/OP DIR CART T11A	\$312
DPBC LBN	2 POS 3 WAY HYD PILOT T11A	\$312
DPBC LDN	2 POS 3 WAY HYD PILOT T11A	\$320
DPBC LWN	3 WAY P/OP DIR CART T11A	\$312
DPBD LAN	3 WAY P/OP DIR VALVE T11A	\$322
DPBM LAN	CART 2 PILOT DIRECT T21A	\$350
DPBM LBN	CARTRIDGE 2 WAY PILOT	\$350
DPBM LDN	2 POS 2 WAY NO T21A DIR V	\$358
DPBN LAN	2 POS 2 WAY NC T21A DIR V	\$350
DPBN LDN	2 POS 2 WAY NC T21A DIR V	\$358
DPBO LAN	EXT DRAIN N/O PILOT 3 WAY	\$386
DPBO LBN	EXT DRAIN N/O PILOT 3 WAY	\$386
DPBO LDN	EXT DRAIN N/O PILOT 3 WAY	\$394
DPBO LEN	EXT DRAIN N/O PILOT 3 WAY	\$394
DPBP LEN	2 POS 3 WAY PILOT/OP T21A	\$403
DPCA LAN	2 POS 2 WAY N/O 60L T2A	\$338
DPCA LBN	2 POS 2 WAY N/O 60L T2A	\$338
DPCA LDN	2 POS 2 WAY N/O 60L T2A	\$346
DPCA LEN	2 POS 2 WAY N/O 60L T2A	\$346
DPCA LWN	2 POS 2 WAY N/O 60L T2A	\$338
DPCB LAN	2 POS 2 WAY N/C 60L T2A	\$338
DPCB LDN	2 POS 2 WAY N/C 60L T2A	\$346
DPCC LAN	2 POS 2 WAY N/C 60L T2A	\$375
DPCC LBN	CART 3W DIRECTIONAL T2A	\$375
DPCC LDN	2 POS 2 WAY N/C 60L T2A	\$383

Part Number	Description	List Price (ex GST)
DPCD LDN	2 POS 3 WAY N/C 60L T2A	\$392
DPCM LAN	2 POS 2 WAY N/O DIR VALVE T21A	\$449
DPCN LEN	2 POS 2 WAY N/C 60L T22A	\$457
DRAY LAN	SEQUENCE DIR/ACT N-O T21A	\$487
DRAY LCN	SEQUENCE DIR/ACT N-O T21A	\$499
DRBA LDN	VALVE 2WAY 2POS N/O T11A	\$284
DRBA LEN	VALVE 2WAY 2 POS N/O T11A	\$284
DRBA LSV	VALVE 2WAY 2POS N/O T11A	\$308
DRBB LAN	VALVE 2 WAY 2 PO N/C T11A	\$276
DRBB LBN	VALVE 2 WAY 2 PO N/C T11A	\$276
DRBB LDN	VALVE 2 WAY 2 PO N/C T11A	\$284
DRBB LEN	VALVE 2 WAY 2 PO N/C T11A	\$284
DRBB LSN	VALVE 2 WAY 2 PO N/C T11A	\$288
DRBC LAN	3 WAY 2 POS P1 BLOCKED T11A	\$346
DRBC LDN	3 WAY 2 POS P1 BLOCKED T11A	\$354
DRBD LAN	2 POS 3 WAY PT # 1 OPEN T11A	\$364
DRBD LBN	2 POS 3 WAY PT # 1 OPEN T11A	\$364
DRBD LWN	2 POS 3 WAY PT # 1 OPEN T11A	\$364
DRBO LEN	3 WAY 2 POS P1 BLOCKED T21A	\$396
DRBP LEN	2 POS 3 WAY DIR/ACT T21A	\$397
DRBP LSN	2 POS 3 WAY DIR/ACT T21A	\$397
DRBR LEN	3 WAY 2 POS EXT PILOT T22A	\$408
DRBR LSN	3 WAY 2 POS EXT PILOT T22A	\$408
DRBR XFN	3 WAT 2 POS EXT PILOT T22A	\$408
DSCH XGN	SHUTTLE LOW SIDE 3 POS T31A	\$391
DSCH XHN	SHUTTLE LOW SIDE 3 POS T31A	\$375
DSCS XCN	SHUTTLE HIGH SIDE 3 POS T31A	\$342
DSCY XEN	DIVERTER 2POS/3WAY T31A	\$316
DSDD XEN	SHUTTLE CLOSED LOOP T32A	\$615
DSEH XGN	HOT OIL SHUTTLE CART T32A	\$510
DSEH XHN	HOT OIL SHUTTLE T32A	\$498
DSFD XEN	HOT OIL SHUTTLE T32A	\$1,024
DSGH XGN	HOT OIL SHUTTLE	\$870
DSGH XHN	HOT OIL SHUTTLE T33A	\$854
DSGH XHV	HOT OIL SHUTTLE T33A	\$878
DSGS XCN	HOT OIL SHUTTLE T33A	\$822
DSIH XHN	SHUTTLE 3POS T34A SERIES 4	\$1,682
DSIY XEN	DIVERTER 2POS/3WAY T34A	\$1,414
DTCM TCN	2 WAY DIR. POPPET T13A MAN OP.	\$348
DTDA LCN-224	VALVE SOLENOID NC T13A	\$452
DTDA LHN	VALVE SOLENOID T13A	\$378
DTDA MCN	VALVE SOLENOID NC T13A	\$286
DTDA MHN	VALVE SOLENOID NO T13A	\$286
DTDA MHN-212	VALVE SOLENOID NO T13A	\$360
DTDA SCN	VALVE SOLENOID NC T13A	\$306

Part Number	Description	List Price (ex GST)
DTDA TCN-212	VALVE SOLENOID NC T13A	\$452
DTDA TCN-224	VALVE SOLENOID NC T13A	\$452
DTDA XCN	VALVE SOLENOID T13A	\$262
DTDA XHN	VALVE SOLENOID NO T13A	\$262
DTDM LHN	VALVE SOLENOID T13A	\$281
DVCC 8FN	2 POS 3 WAY DIRECTIONAL T2A	\$394
DVCO 8FN	DIRECTIONAL VALVE T22A	\$491
DVCO 8FV	DIRECTIONAL VALVE T22A	\$515
DWDA LAN-212	3 WAY 2 POS DIR.POPPET T11A	\$584
DWDA LAN-224	3 WAY 2 POS DIR.POPPET T11A	\$584
DWDA MAN	3 WAY 2 POS DIR.POPPET T11A	\$418
DWDA TAN-212	3 WAY 2 POS DIR.POPPET T11A	\$584
DWDA TAN-224	3 WAY 2 POS DIR.POPPET T11A	\$584
DWDM TAN	3 WAY MANUAL DIR.POPPET T11A	\$435
FCCB LAN-1.0-LPM	FLOW CONTROL P/C T13A W-CK	\$203
FCCB XAN-1.0-LPM	FLOW CONTROL P/C T13A W-RFCK	\$171
FCDB LAN-1.0-LPM	FLOW CONTROL P/C T5A	\$294
FCEB LAN-1.0-LPM	F/C W-CK .8-100 LPM T16	\$571
FCFB XAN-1.0-LPM	FLOW CONTROL P/C T18A	\$1,002
FDBA HAN	ADJ FL REG 4 TO 25 LPM T13A	\$280
FDBA LAN	ADJ FL REG 4 TO 25 LPM T13A	\$240
FDBA LAV	ADJ FL REG 4 TO 25 LPM T13A	\$254
FDBA LBN	ADJ FL REG 0.4 TO 8 LPM T13A	\$248
FDBA LWN	ADJ FL REG 0.4 TO 20LPM T13A	\$256
FDBA LYN	ADJ FL REG 0.4 TO 16LPM T13A	\$256
FDCB HAN	ADJ FL REG 4 TO 50L T5A	\$377
FDCB LAN	ADJ FL REG 4 TO 50L T5A	\$337
FDCB LAV	ADJ FL REG 4 TO 50L T5A	\$351
FDEA HAN	ADJ F REG 8 TO 100L T16A	\$674
FDEA HAV	ADJ F REG 8 TO 100L T16A	\$688
FDEA KAN	ADJ F REG 0 TO 100L T16A	\$658
FDEA LAN	ADJ F REG 8 TO 100L T16A	\$634
FDFA HAN	CART P/C FR 0-200LPM T18A	\$1,342
FDFA LAN	ADJ F REG 8 TO 200L T18A	\$1,302
FLDA XDN	FILTER 40um T13A	\$574
FLFA XDN	FILTER 40um T5A SERIES 2	\$876
FLHA XAN	FILTER 3um T16A	\$642
FLHA XBN	USE FLHA XAN	\$642
FLJA XDN	FILTER 40um T18A	\$989
FMDA XAN	PROP 3-WAY FLOW CTL T11A	\$558
FMDA XBN	PROP 3-WAY FLOW CTL T11A	\$538
FMDB MAN	VALVE 2 POS 3 WAY T11A PROP	\$582
FMDB MBN	VALVE 2 POS 3 WAY T11A PROP	\$562

Part Number	Description	List Price (ex GST)
FMDB MCN	VALVE 2 POS 3 WAY T11A PROP	\$530
FPCC MAN	PROP THROTTLE N/C 6LPM T13A	\$550
FPCC MBN	PROP THROTTLE N/C 14LPM T13A	\$530
FPCC MCN	PROP THROTTLE N/C 28LPM T13A	\$498
FPCC TBN-224	PROP THROTTLE N/C 14LPM T13A	\$696
FPCC TCN-212	PROP THROTTLE N/C 28LPM T13A	\$664
FPCC TCN-224	PROP THROTTLE N/C 28LPM T13A	\$664
FPCH LCN-224	PROP THROTTLE N/O 28LPM T13A	\$664
FPCH MCN-212	PROP THROTTLE N/O 28LPM T13A	\$572
FPCH MCN-224	PROP THROTTLE N/O 28LPM T13A	\$572
FQCA XAN-1.0-LPM	FLOW FUSE VALVE T13A	\$140
FQEA XAN-1.0-LPM	FLOW FUSE VALVE T5A	\$203
FQGA XAN-1.0-LPM	FLOW FUSE VALVE T16A	\$406
FQIA XAN-1.0-LPM	FLOW FUSE VALVE T18A	\$844
FRBA LAN-1.0-LPM	FLOW REG 0.4 LPM T163A	\$190
FRCA LAN-1.0-LPM	FLOW REG .8 TO 25L T11A	\$190
FRDA LAN-1.0-LPM	FLOW REG .8 TO 50L T2A	\$255
FREA LAN-1.0-LPM	FLOW REG .8 TO 100L T17A	\$511
FRFA LAN-1.0-LPM	FLOW REG .8 TO 200L T19A	\$961
FSAAXAN	HI ACCURACY COMBINER T31A	\$448
FSAS XAN	FLOW DIV/COMB SYNCH T31A	\$478
FSBA XAN	FLOW DIV/COMBINER T31A	\$462
FSBD XAN	FLOW DIVIDER T31A	\$304
FSBS XAN	FLOW DIV/COMB SYNCH T31A	\$492
FSCA XAN	FLOW DIV/COMBINER T31A	\$462
FSCD XAN	FLOW DIVIDER T31A	\$300
FSCD XCN	FLOW DIVIDER 6-30LPM 33:66	\$328
FSCS XAN	FLOW DIV/COMB SYNCH T31A	\$492
FSCS XAV	FLOW DIV/COMB SYNCH T31A	\$516
FSDA XAN	FLOW DIV/COMBINER T32A	\$606
FSDC XAN	FLOW DIVIDER T32A HI-ACCURACY	\$399
FSDD XAN	FLOW DIVIDER T32A	\$390
FSDD XBN	FLOW DIVDR CARTGE SPLIT 40/60	\$418
FSDD XCN	FLOW DIVIDER T32A	\$418
FSDH XAN	FLOW DIV/COMB HI-FLO T32A	\$622
FSDR XAN	FLOW DIVIDER COMBINER T32A	\$646
FSDS XAN	FLOW DIV/COMB SYNCH T32A	\$651
FSEA XAN	FLOW DIV/COMBINER T33A	\$1,081
FSED XAN	FLOW DIVIDER T33A 50/50	\$694
FSED XBN	FLOW DIVIDER T33A 60/40	\$722
FSEH XAN	FLOW DIV/COMB SYNCH T33A	\$1,116
FSER XAN	CARTRIDGE FLOW DIVIDER	\$1,132
FSES XAN	FLOW DIV/COMB SYNCH T33A	\$1,162

Part Number	Description	List Price (ex GST)
FSFC XAN	FLOW DIV/HIACCURACY T34A	\$1,263
FSFD XAN	FLOW DIVIDER T33A	\$1,294
FSFH XAN	FLOW DIV/COMB HI-FLO T34A	\$2,134
FSFS XAN	FLOW DIV/COMB SYNCH T34A	\$2,217
FTDC XYN	FLOW CONTROL VALVE T52A	\$684
FTDK XCN	3/3 WAY PROP SELECTOR T52A	\$743
FVCA LAN-1.0-LPM	VENTABLE PR FLO CONT T21A	\$282
FVDA LAN-1.0-LPM	VENTABLE PR FLO CONT T22A	\$406
FVDA XAN-1.0-LPM	VENTABLE PR FLO CONT T22A	\$374
FVEA 8AN-1.0-LPM	VENTABLE PR-FLO CONT T23A	\$742
FVEA 8IN	VENTABLE PR-FLO CONT T23A	\$742
FVEA LAN-1.0-LPM	VENTABLE PR-FLO CONT T23A	\$754
FVFA LAN-1.0-LPM	PRIORITY F/CTRL (1.00 L/M)	\$1,425
FVFA LAV-1.0-LPM	PRIORITY F/CTRL (1.00 L/M)	\$1,449
FXBA LAN-1.0-LPM	FLOW CONTROL T162A PR/COMP	\$173
FXBA LIN	FLOW CONTROL PR COMP T162A	\$173
FXBA XAN-1.0-LPM	FLO CONT T162A	\$141
FXCA LAN-1.0-LPM	FLOW REG .8 TO 25L T13A	\$173
FXCA XAN-1.0-LPM	FLOW REG .8 TO 25L T13A	\$141
FXDA LAN-1.0-LPM	FLOW REG .8 TO 50L T5A	\$243
FXDA XAN-1.0-LPM	FLOW REGULATOR T5A	\$212
FXEA LAN-1.0-LPM	FLOW CONTROL PCOMP T16A	\$467
FXEA XAN-1.0-LPM	FLOW REG .8-95LPM T16A	\$435
FXFA LAV-1.0-LPM	FLOW REG .8-200LPM T18A	\$895
HRDA LAN	DIR/ACT REL BEFORE/CK T11A	\$246
HRDA LWN	DIR/ACT REL BEFORE/CK T11A	\$246
HRDB LWN	DIR/ACT REL AFTER/CK T11A	\$228
LHDA XFN	PRIORITY CART T31A	\$325
LHDT XDN	BI-DIRECT ELEMENT N/O T31A	\$334
LHDT XDV	BI-DIRECT ELEMENT N/O T31A	\$358
LHDT XFN	BI-DIRECT ELEMENT N/O T31A	\$334
LHFA XFN	PRIORITY CART T32A	\$427
LHHA XFN	PRIORITY CART T33A	\$748
LHJA XFN	PRIORITY CART T34A	\$1,542
LKDC XDN	CARTRIDGE N/C LOGIC T11A	\$176
LKFC XDN	ELEMENT T2A N/C LOGIC	\$239
LKHC LDN	SWITCHING LOGIC N/C T17A	\$458
LKHC XDN	SWITCHING LOGIC N/C T17A	\$426
LKJC LDV	ELEMENT T19 N/C LOGIC	\$855
LKJC XDN	SWITCHING LOGIC N/C T19A	\$803
LKJC XDV	SWITCHING LOGIC N/C T19A	\$823

Part Number	Description	List Price (ex GST)
LODA XDN	CARTRIDGE N/O LOJIC 0-80L T11A	\$166
LODB 8DN	LOGIC ELEMENT PILOT TO CLOSE	\$186
LODC LDN	EXT PILOT 0-100L T11A NO	\$190
LODC XDN	EXT PILOT 0-100L T11A NO	\$158
LODD 8DN	LOGIC ELEMENT	\$236
LODD XDN	PILOT TO CLOSE LOGIC T11A	\$216
LODO XDN	PILOT TO CLOSE LOGIC T11A	\$162
LOEC ZDN	LOGIC C/W POSITION SWITCH T2A	\$1,936
LOFA 8DN	PILOT TO CLOSE ELEMENT T2A	\$241
LOFA XDN	PILOT TO CLOSE ELEMENT T2A	\$221
LOFB 8DN	PILOT TO CLOSE ELEMENT T2A	\$241
LOFC LDN	PILOT TO CLOSE ELEMENT T2A	\$244
LOFC XDN	PILOT TO CLOSE ELEMENT T2A	\$212
LOFC XDV	PILOT TO CLOSE ELEMENT T2A	\$232
LOFC ZDN	PILOT TO CLOSE ELEMENT T2A	\$1,812
LOFO ZDN	N/O LOGIC T2A W/- POS SWITCH	\$1,817
LOHA XDN	SWITCHING LOGIC NO T17A	\$387
LOHC LDN	CARTRIDGE	\$416
LOHC XDN	EXT PILOT 0-400L T17A NO	\$384
LOHC ZDN	LOGIC C/W POSITION SWITCH T17A	\$1,984
LOHD 8DN	LOGIC VALVE T17A	\$462
LOHD XDN	LOGIC VALVE T17A	\$442
LOJA 8DN	ELEMENT T19A PILOT TO CLOSE	\$721
LOJB XDN	ELEMENT T19A PILOT TO CLOSE	\$701
LOJC LDV	ELEMENT T19A NO LOGIC	\$794
LOJC XCN	ELEMENT T19A N/O LOGIC	\$750
LOJC XDN	ELEMENT T19A N/O LOGIC	\$742
LOJC XDV	ELEMENT T19A NO LOGIC	\$762
LOJD 8DN	ELEMENT T19A PILOT TO CLOSE	\$778
LOJO XDN	ELEMENT T19A PILOT TO CLOSE	\$696
LPBA XHN	MODULATING LOGIC T163A N/O	\$191
LPBC LDN	MODULATE LOGIC NO T163A	\$216
LPBC XDN	MODULATE LOGIC NO T163A	\$184
LPBC XFN	MODULATING ELEMENT T163A N/O	\$184
LPBC XHN	MODULATING ELEMENT T163A N/O	\$184
LPBD XDN	MODULATING ELEMENT NO T163A	\$184
LPBD XFN	CARTRIDGE	\$184
LPBD XHN	MODULATING LOGIC T163A	\$184
LPDC LDN	MODULATING ELEMENT T11A N/O	\$216
LPDC XDN	MODULATING ELEMENT T11A N/O	\$184
LPDC XFN	MODULATING ELEMENT T11A N/O	\$184
LPDC XHN	MODULATING ELEMENT T11A N/O	\$184
LPFC LDN	MODULATING ELEMENT T2A N/O	\$281
LPFC XDN	MODULATING ELEMENT T2A N/O	\$249
LPFC XFN	MODULATING ELEMENT T2A N/O	\$249

Part Number	Description	List Price (ex GST)
LPFC XGN	MODULATING ELEMENT T2A N/O	\$249
LPFC XHN	MODULATING ELEMENT T2A N/O	\$249
LPHA XDN	MODULATE LOGIC N/O T17A	\$490
LPHC LDN	MODULATING ELEMENT N/O T17A	\$518
LPHC XFN	MODULATE LOGIC NO T17A	\$486
LPHC XHN	MODULATE LOGIC NO T17A	\$486
LPJA XHN	MODULATE LOGIC N/O T17A	\$980
LPJA XHV	MODULATE LOGIC N/O T17A	\$1,000
LPJC LDV	DIR ACT LOGIC T19A NO	\$1,074
LPJC XHN	DIR ACT LOGIC T19A NO	\$1,022
LPJC XHV	DIR ACT LOGIC T19A NO	\$1,042
LRBA XHN	MODULATING ELEMENT	\$175
LRBC XFN	MODULATING ELEMENT T163A N/C	\$188
LRBC XHN	MODULATING ELEMENT T163A N/C	\$188
LRDA XDN	ELEMENT T11A NO LOGIC	\$195
LRDC LDN	MODULATING ELEM T11A NC	\$220
LRDC XCN	MODULATING ELEM T11A NC	\$188
LRDC XDN	MODULATING ELEMENT T11A N/C	\$188
LRDC XHN	MODULATING ELEMENT T11A NC	\$188
LRFA XHN	MODULATING ELEMENT T2A N/C	\$258
LRFC LFN	MODULATING ELEMENT T2A N/C	\$283
LRFC XDN	MODULATING ELEMENT T2A N/C	\$251
LRFC XFN	MODULATING ELEMENT T2A N/C	\$251
LRFC XHN	MODULATING ELEMENT T2A N/C	\$251
LRFE 8CN	MODULATING ELEMENT T5A N/C	\$229
LRHA XHN	MODULATING ELEMENT T17A N/C	\$499
LRHC LDN	MODULATING ELEMENT T17A NC	\$527
LRHC XGN	MODULATING ELEMENT T17A NC	\$495
LRHC XHN	MODULATING ELEMENT T17A NC	\$495
LRJC XDN	MODULATING ELEMENT NC T19A	\$970
LRJC XHN	MODULATING ELEMENT NC T19A	\$970
MBEA LHN	BALANCED LOAD CONTROL T2A	\$483
MBEG LJN	LOAD CONTROL 4:5:1 T2A	\$503
MBEM XEN	BALANCED LOAD CONTROL T2A	\$449
MBEM XIN	BALANCED LOAD CONTROL T2A	\$429
MBGA LHN	BALANCED LOAD CONTROL T17A	\$772
MBGM XGN	BALANCED LOAD CONTROL T17A	\$727
MBGM XIN	BALANCED LOAD CONTROL T17A	\$715
MBIG LJN	LOAD CONTROL NON-VENTED	\$1,503
MBIM XGN	LOAD CONTROL NON-VENTED	\$1,444
MBIM XIN	BALANCED LOAD CONTROL T19A	\$1,436
MWEA LHN	3:1 LOAD REACTIVE C/B T22A	\$518
MWEB LHN	CARTRIDGE 1.5:1 PILOT LOAD	\$527
MWEG LHN	4.5:1 LOAD REACTIVE C/B T22A	\$527
MWEM XEN	VENTED BALANCED LOAD CTRL	\$484

Part Number	Description	List Price (ex GST)
	T22A	
MWEM XGN	VENTED BALANCED LOAD CTRL T22A	\$476
MWEM XHN	VENTED BALANCED LOAD CTRL T22A	\$476
MWEM XIN	VENTED BALANCED LOAD CTRL T22A	\$464
MWGA LHN	VENTED BALANCED LOAD CTRL T23A	\$816
MWGG LJN	VENTED BALANCED LOAD CTRL T23A	\$824
MWGM XEN	VENTED BALANCED LOAD CTRL T23A	\$782
MWGM XGN	VENTED BALANCED LOAD CTRL T23A	\$774
MWGM XIN	VENTED BALANCED LOAD CTRL T23A	\$762
MWGM XKN	VENTED BALANCED LOAD CTRL T23A	\$762
MWIA LHN	VENTED BALANCED LOAD CTRL T24A	\$1,537
MWIM XEN	VENT/BAL LOAD CONTROL T24A	\$1,498
NCCB LCN	NEEDLE C/W FF CHECK T162A	\$117
NCCB HAN	NEEDLE C/W FF CHECK T13A	\$157
NCCB LAN	NEEDLE C/W FF CHECK T13A	\$117
NCCB LAV	NEEDLE C/W FF CHECK T13A	\$131
NCCB LCN	NEEDLE C/W FF CHECK T13A	\$117
NCCB LCV	NEEDLE C/W FF CHECK T13A	\$131
NCCC LCN	NEEDLE C/W FF CHECK T13A	\$122
NCCD LAN	NEEDLE C/W RV FLOW CHECK .06	\$122
NCEA LAN	**NON RETURNABLE ITEM	\$216
NCEB HAN	NEEDLE C/W FF CHECK T5A	\$200
NCEB LAN	NEEDLE C/W FF CHECK T5A	\$160
NCEB LCN	NEEDLE C/W FF CHECK T5A	\$160
NCEC LAN	VLV NEEDLE WITH REV FREE FLOW	\$165
NCEC LCN	VLV NEEDLE T5A C/W REV CHECK	\$165
NCFB LAN	NEEDLE C/W FF CHECK T16A	\$302
NCFB LCN	NEEDLE C/W FF CHECK T16A	\$302
NCGB HCN	CARTRIDGE T18A	\$636
NCGB LCN	CARTRIDGE T18A	\$596
NCGC LCN	NEEDLE C/W FF CHECK T16A	\$612
NFAB KXN	GAUGE SNUBBER & SHUT OFF T8A	\$97
NFAB KXV	GAUGE SNUBBER CARTRIDGE T8A	\$111
NFBC LCN	VALVE NEEDLE T162A	\$92
NFCC HCN	VALVE NEEDLE T13A	\$132
NFCC HCV	VALVE NEEDLE T13A	\$146
NFCC HDN	VALVE NEEDLE T13A	\$144
NFCC KCN	VALVE NEEDLE T13A	\$116
NFCC KDV	VALVE NEEDLE T13A	\$142
NFCC LCN	VALVE NEEDLE T13A	\$92
NFCC LCV	VALVE NEEDLE T13A	\$106
NFCC LDN	VALVE NEEDLE T13A	\$104

Part Number	Description	List Price (ex GST)
NFCC LDV	VALVE NEEDLE T13A	\$118
NFCD HFN	VALVE FULLY ADJUSTABLE NEEDLE	\$139
NFCD LFN	VALVE NEEDLE CART HI CAP T13A	\$99
NFCD LJV	VALVE NEEDLE CART HI CAP T13A	\$113
NFCD YFN	VALVE NEEDLE T13A 3 WING KNOB	\$121
NFDC HAN	VALVE NEEDLE T5A	\$166
NFDC KAN	VALVE NEEDLE T5A C/W KNOB KIT	\$150
NFDC LAN	VALVE NEEDLE T5A	\$126
NFDC LAV	VALVE NEEDLE T5A	\$140
NFDD LGN	VALVE NEEDLE CART HI CAP T5A	\$135
NFDD LGV	VALVE NEEDLE T5A	\$149
NFEC LEN	VALVE NEEDLE T16A	\$264
NFEC LEV	VALVE NEEDLE T16A	\$278
NFED HHN	VALVE NEEDLE CART HI CAP T16A	\$316
NFED HHV	HIGH CAPACITY FLOW CART	\$330
NFED LHN	VALVE NEEDLE CART HI CAP T16A	\$276
NFED LHV	NEEDLE CART HI CAP T16A VITON	\$290
NFED YHN	VALVE NEEDLE T16A 3 WING KNOB	\$322
NFFC KGN	VALVE FULLY ADJUST NEEDLE T18A	\$512
NFFC LGN	VALVE FULLY ADJUST NEEDLE T18A	\$488
NFFC LGV	VALVE NEEDLE T18A	\$502
NFFC LHN	VALVE NEEDLE	\$500
NFFD HIV	VALVE NEEDLE CART HI CAP T18A	\$592
NFFD KIN	VALVE NEEDLE HI CAPACITY T18A	\$562
NFFD LIN	VALVE NEEDLE CART HI CAP T18A	\$538
NHED BJN	6 POS ORF SELECTOR T16A	\$397
NHED BMN	6 POS ORF SELECTOR T16A	\$397
NMU	BODY 3/8IN BSPP T32A	\$229
NQAA XAN AI	FUSE GAUGE LINE	\$136
NQAA XAX AA	FUSE GAUGE LINE	\$140
NQEB XAN	AIR BLEED & START UP T3A	\$230
NQEB XAV	AIR BLEED & START UP T3A	\$244
NSAC XAX TA	SNUBBER	\$106
PBBB KWN	PR/RED 0-20LPM T163A	\$217
PBBB LAN	PR/RED 0-20LPM T163A	\$193
PBBB LBN	PR/RED 0-20LPM T163A	\$193
PBBB LNN	PR/RED 0-20LPM T163A	\$201
PBBB LQN	PR/RED 0-20LPM T163A	\$201
PBBB LWN	PR/RED 0-20LPM T163A	\$193
PBDB 8DN	PR/RED 0-40LPM T11A	\$221
PBDB 8WN	PR/RED 0-40LPM T11A	\$213
PBDB LAN	PR/RED 0-40LPM T11A	\$193
PBDB LAV	PR/RED 0-40LPM T11A	\$213
PBDB LBN	PR/RED 0-40LPM T11A	\$193

Part Number	Description	List Price (ex GST)
-------------	-------------	------------------------

PBDB LBV	PR/RED 0-40LPM T11A	\$213
PBDB LCN	PR/RED 0-40LPM T11A	\$205
PBDB LDN	PR/RED 0-40LPM T11A	\$201
PBDB LEN	PR/RED 0-40LPM T11A	\$201
PBDB LEV	PR/RED 0-40LPM T11A	\$221
PBDB LNN	PR/RED 0-40LPM T11A	\$201
PBDB LQN	PR/RED 0-40LPM T11A	\$201
PBDB LWN	PR/RED 0-40LPM T11A	\$193
PBDB OAN	PR/RED 0-40LPM T11A	\$221
PBDB OEV	PR/RED 0-40LPM T11A	\$249
PBFB 8DN	PR/RED 0-80LPM T2A	\$306
PBFB 8WN	PROPORTIONAL REDUCER T2A	\$298
PBFB JBN	PILOT OPERATED PRESS RED VALVE	\$262
PBFB LAN	PR/RED 0-80LPM T2A	\$278
PBFB LAV	PR/RED 0-80LPM T2A	\$298
PBFB LBN	PR/RED 0-80LPM T2A	\$278
PBFB LBV	PR/RED 0-80LPM T2A	\$298
PBFB LDN	PR/RED 0-80LPM T2A	\$286
PBFB LNN	PR/RED 0-80LPM T2A	\$286
PBFB LWN	PR/RED 0-80LPM T2A	\$278
PBFC ABN	CARTRIDGE	\$603
PBHB 8DN	PR/RED 0-160LPM T17A	\$588
PBHB LAN	PR/RED 0-160LPM T17A	\$560
PBHB LBN	PR/RED 0-160LPM T17A	\$560
PBHB LBV	PR/RED 0-160LPM T17A (VITON)	\$580
PBHB LDN	CART PR 0-160LPM T17	\$568
PBHB LNN	PRESS REDUCING CART T17A	\$568
PBHB LWN	PR/RED 0-160LPM T17A	\$560
PBHB LWV	PR/RED 0-160LPM T17A	\$580
PBHF LBN	PR/RED T17A W-DRILLED PISTON	\$540
PBJB 8WN	PROPORTIONAL REDUCER T19A	\$1,263
PBJB LAN	PR/RED 0-320LPM T19A	\$1,243
PBJB LAV	PR/RED 0-320LPM T19A	\$1,263
PBJB LBV	PR/RED 0-320LPM T19A	\$1,263
PBJB LNN	PR/RED 0-320LPM T19A	\$1,251
PBJB LWN	PILOT OPERATED REDUCING VALVE	\$1,243
PBJC BBV	PR/RED T19A PNUE CONT	\$1,998
PBJF LNN	PR/RED T19A W- DRILLED PISTON	\$900
PPDB 8DN	RED/REL 0-40L T11A	\$261
PPDB 8WN	RED/REL 0-40L T11A	\$253
PPDB KEN	RED/REL 0-40L T11A	\$265
PPDB LAN	RED/REL 0-40L T11A	\$233
PPDB LAV	RED/REL 0-40L T11A	\$253
PPDB LBN	RED/REL 0-40L T11A	\$233

Part Number	Description	List Price (ex GST)
-------------	-------------	------------------------

PPDB LDN	RED/REL 0-40L T11A	\$241
PPDB LEN	RED/REL 0-40L T11A	\$241
PPDB LHN	RED/REL 0-40L T11A	\$245
PPDB LQN	RED/REL 0-40L T11A	\$241
PPDB LWN	RED/REL 0-40L T11A	\$233
PPDB OAN	RED/REL 0-40L T11A C/W KNOB	\$261
PPDB ODN	RED/REL 0-40L T11A C/W KNOB	\$269
PPDB OEV	RED/REL 0-40L T11A	\$289
PPDB OWN	RED/REL 0-40L T11A C/W KNOB	\$261
PPFB 8DN	RED/REL 0-80L T2A	\$366
PPFB KWN	RED/REL 0-80L T2A	\$362
PPFB LAN	RED/REL 0-80L T2A	\$338
PPFB LBN	RED/REL 0-80L T2A	\$338
PPFB LBV	RED/REL 0-80L T2A	\$358
PPFB LDN	RED/REL 0-80L T2A	\$346
PPFB LEN	RED/REL 0-80L T2A	\$346
PPFB LWN	RED/REL 0-80L T2A	\$338
PPFB OEV	RED/REL 0-80L T2A	\$394
PPFC ABN	AIR PILOT RED/REL T2A	\$659
PPHB 8DN	RED/REL 0-160L T17A	\$702
PPHB LAN	RED/REL 0-160L T17A	\$674
PPHB LBN	RED/REL 0-160L T17A	\$674
PPHB LEN	RED/REL 0-160L T17A	\$682
PPHB LWN	RED/REL 0-160L T17A	\$674
PPHF LAN	PR/RED T17A W-DRILLED PISTON	\$649
PPHF LBN	PR/RED T17A W-DRILLED PISTON	\$649
PPJB 8WN	PR/RED/REL 0-320LPM T19A	\$1,394
PPJB LAN	PR/RED/REL 0-320LPM T19A	\$1,374
PPJB LAV	PR/RED/REL 0-320LPM T19A	\$1,394
PPJB LNN	PR/RED/REL 0-320LPM T19A	\$1,382
PPJB LWN	PR/RED/REL 0-320LPM T19A	\$1,374
PRDB KSN	DIR/ACT RED/REL T11A	\$278
PRDB LAN	DIR/ACT RED/REL T11A	\$242
PRDB LBN	DIR/ACT RED/REL T11A	\$242
PRDB LDN	DIR/ACT RED/REL T11A	\$250
PRDB LEN	DIR/ACT RED/REL T11A	\$250
PRDB LEV	DIR/ACT RED/REL T11A	\$270
PRDB LSN	DIR/ACT RED/REL T11A	\$254
PRDB LWN	DIR/ACT RED/REL T11A	\$242
PRDB OEN	DIR/ACT RED/REL T11A	\$278
PRDC LSN	DIR/ACT RED/REL T11A OP/TRANS	\$276
PRDL MDN	DIR/ACT RED/REL T11A PROP	\$556
PRDL MEN	DIR/ACT RED/REL T11A PROP	\$556
PRDP MDN	DIR/ACT RED/REL T11A PROP	\$533
PRDP MEN	DIR/ACT RED/REL T11A PROP	\$533

Part Number	Description	List Price (ex GST)
PRDR LBN	DIR/ACT PR-RED T11A	\$251
PRDR LDN	DIR/ACT PR-RED T11A	\$259
PRDR LWN	DIR/ACT PR-RED T11A	\$251
PRFB LAN	DIRECT ACTING RED/REL T2A	\$338
PRFB LBN	DIRECT ACTING RED/REL T2A	\$338
PRFB LDN	DIRECT ACTING RED/REL T2A	\$346
PRFB LSN	DIRECT ACTING RED/REL T2A	\$350
PRFR LDN	DIRECT ACTING RED/REL T2A	\$364
PRHB LAN	DIRECT ACTING RED/REL T17A	\$674
PRHB LDN	DIRECT ACTING RED/REL T17A	\$682
PRHB LEN	DIRECT ACTING RED/REL T17A	\$682
PRHB LSN	DIRECT ACTING RED/REL T17A	\$686
PRHR LDN	DIRECT ACTING PR-RED T17A	\$700
PRJR LWN	DIR/ACT PR/RED T19A	\$1,393
PSDB LDN	DIR/ACT RED/REL T11A	\$317
PVDA 8WN	EXT DRAIN RED/REL T21A PILOT	\$340
PVDA LAN	EXT DRAIN RED/REL T21A	\$320
PVDA LBN	EXT DRAIN RED/REL T21A	\$320
PVDA LDN	EXT DRAIN RED/REL T21A	\$328
PVDA LEN	EXT DRAIN RED/REL T21A	\$328
PVDA LHN	EXT DRAIN RED/REL T21A	\$332
PVDB LAN	EXT VENT PR/RED&REL T21A.	\$332
PVDB LDN	EXT VENT PR/RED&REL T21A	\$340
PVFA LAN	PR-RED/REL EXT DRN T22A	\$460
PVFA LWN	PR-RED/REL EXT DRN T22A	\$460
PVFB LAN	EXT VENT PR/RED&REL T22A	\$473
PVFB LDN	EXT VENT PR/RED&REL T22A	\$481
PVFB LWN	EXT VENT PR/RED&REL T22A	\$473
PVHA LAN	PR-RED/REL C/W EXT DR T23	\$894
PVHA LBN	PR-RED/REL C/W EXT DR T23	\$894
PVHB LAN	RED/REL EXT VENT T23A	\$907
PVHB LEN	RED/REL EXT VENT T23A	\$915
PVHB LWN	RED/REL EXT VENT T23A	\$907
PVHD LWN	RED/REL EXT VENT T23A	\$878
PVJA LEN	EXT DRAIN RED/REL T24A	\$1,767
PVJB LWN	EXT VENT PR/RED+REL T19A	\$1,777
QCDA LAN	15%DIF UNLD PLT W/CK T21A	\$524
QCDA LBN	15%DIF UNLD PLT W/CK T21A	\$524
QCDA LCN	15%DIF UNLD PLT W/CK T21A	\$536
QCDB LAN	20%DIF UNLD PLT W/CK T21A	\$488
QCDB LBN	20%DIF UNLD PILOT T11A	\$488
QCDB LCN	20%DIF UNLD PLT W/CK T21A	\$500
QCDC LAN	DIFF UNLOAD/CHK CART T21A	\$488
QCDC LBN	30%DIF UNLD PLT W/CK T21A	\$488
QCDC LCN	30%DIF UNLD PLT W/CK T21A	\$500

Part Number	Description	List Price (ex GST)
QCDD LAN	DIFF UNLOADER /CHK	\$488
QCDE LCN	10%DIF UNLD PLT W/CK T21A	\$517
QPAA LAN	15% DIF UNLD PILOT T11A	\$511
QPAA LCN	15% DIF UNLD PILOT T11A	\$523
QPAA LDN	15% DIF UNLD PILOT T11A	\$511
QPAB LAN	20% DIF UNLD PILOT T11A	\$475
QPAB LBN	20% DIF UNLD PILOT T11A	\$475
QPAB LCN	20% DIF UNLD PILOT T11A	\$487
QPAC LAN	30% DIF UNLD PILOT T11A	\$475
QPAC LCN	30% DIF UNLD PILOT T11A	\$487
QPAD LAN	50% DIF UNLD PILOT T11A	\$475
QPAE LDN	10% DIF UNLD PILOT T11A	\$496
RBAA LAN	DIR/ACT T3A 2LPM PILOT STAGE	\$241
RBAA LDN	DIR/ACT T3A 2LPM PILOT STAGE	\$249
RBAB ABN	VALVE RELIEF - AIR PILOT	\$546
RBAC CBN	DIR/ACTING REL T10A	\$191
RBAC LAN	DIR/ACTING REL T10A	\$171
RBAC LBN	DIR/ACT RELIEF T10A	\$171
RBAC LCN	DIR/ACTING REL T10A	\$183
RBAC LCV	DIR/ACTING REL T10A	\$197
RBAC LDN	DIR/ACTING REL T10A	\$179
RBAC LEN	DIR/ACTING REL T10A	\$179
RBAC LWN	DIR/ACTING REL T10A	\$171
RBAC OAN	DIR/ACTING REL T10A	\$199
RBAC OBN	DIR/ACTING REL T10A	\$199
RBAC OCN	DIR/ACTING REL T10A	\$211
RBAC OWN	DIR/ACTING REL T10A	\$199
RBAE LAN	PILOT STAGE RELIEF T8A	\$189
RBAE LBN	PILOT STAGE RELIEF T8A	\$189
RBAE LBN	PILOT STAGE RELIEF T8A	\$203
RBAE LCN	PILOT STAGE RELIEF T8A	\$201
RBAE LEN	PILOT RELIEF T8A	\$197
RBAE LWN	RELIEF CARTRIDGE T8A	\$189
RBAN XAN	PROPORTIONAL PILOT RELIEF T8A	\$534
RBAP LBN	PROPORTIONAL PILOT RELIEF T8A	\$553
RBAP LWN	PROPORTIONAL PILOT RELIEF T8A	\$586
RBAP MAN	PROPORTIONAL PILOT RELIEF T8A	\$466
RBAP MBN	PROPORTIONAL PILOT RELIEF T8A	\$466
RBAP MDN	PROPORTIONAL PILOT RELIEF T8A	\$474
RBAP MWN	PROPORTIONAL PILOT RELIEF T8A	\$490
RBAP XAN	PROPORTIONAL PILOT RELIEF T8A	\$442
RBAP XBN	PROPORTIONAL PILOT RELIEF T8A	\$442
RBAP XDN	PROPORTIONAL PILOT RELIEF T8A	\$450
RBAP XWN	PROPORTIONAL PILOT RELIEF T8A	\$466
RBAR DWN	PILOT RELIEF AIR CONTROLLED	\$401



Part Number	Description	List Price (ex GST)
RBAR DYN	PILOT RELIEF AIR CONTROLLED	\$449
RBAT LCN	RELIEF W CARBIDE PILOT BALL T1	\$220
RBAT LWN	RELIEF W CARBIDE PILOT BALL	\$208
RBFA LCN	CARTRIDGE	\$562
RDBA LAN	DIR/ACT DIFF 12GPM T162A	\$143
RDBA LAV	DIR/ACT DIFF 12GPM T162A	\$157
RDBA LBN	DIR/ACT DIFF 12GPM T162A	\$143
RDBA LCN	DIR/ACT DIFF 12GPM T162A	\$155
RDBA LDN	DIR/ACT DIFF 12GPM T162A	\$151
RDBA LEN	DIR/ACT DIFF 12GPM T162A	\$151
RDBA LSN	DIR/ACT DIFF 12GPM T162A	\$155
RDBA LWN	DIR/ACT DIFF 12GPM T162A	\$143
RDDA LAN	DIR/ACT DIFF 0-100LPM T10A	\$154
RDDA LAV	DIR/ACT DIFF 0-100LPM T10A	\$168
RDDA LBN	DIR/ACT DIFF 0-100LPM T10A	\$154
RDDA LCN	DIR/ACT DIFF 0-100LPM T10A	\$166
RDDA LCV	DIR/ACT DIFF 0-100LPM T10A	\$180
RDDA LDN	DIR/ACT DIFF 0-100LPM T10A	\$162
RDDA LEN	DIR/ACT DIFF 0-100LPM T10A	\$162
RDDA LSN	DIR/ACT DIFF 0-100LPM T10A	\$166
RDDA LWN	DIR/ACT DIFF 0-100LPM T10A	\$154
RDFA CAN	DIR/ACT DIFF 0-200LPM T3A	\$259
RDFA LAN	DIR/ACT DIFF 0-200LPM T3A	\$239
RDFA LBN	DIR/ACT DIFF 0-200LPM T3A	\$239
RDFA LBV	DIR/ACT DIFF 0-200LPM T3A	\$253
RDFA LCN	DIR/ACT DIFF 0-200LPM T3A	\$251
RDFA LCV	DIR/ACT DIFF 0-200LPM T3A	\$265
RDFA LDN	DIR/ACT DIFF 0-200LPM T3A	\$247
RDFA LEN	DIR/ACT DIFF 0-200LPM T3A	\$247
RDFA LSN	DIR/ACT DIFF 0-200LPM T3A	\$251
RDFA LWN	DIR/ACT DIFF 0-200LPM T3A	\$239
RDHA LAN	DIR/ACT DIFF 0-380LPM T16A	\$465
RDHA LCN	DIR/ACT DIFF 0-380LPM T16A	\$477
RDHA LCV	DIR/ACT DIFF REL T16A	\$491
RDHA LDN	DIRECT ACTING DIFF 0-380L T16A	\$473
RDHA LEN	RELIEF CARTRIDGE DA T16A	\$473
RDHA LSN	DIR/ACT DIFF 0-380LPM T16A	\$477
RDJA LAN	RELIEF CARTRIDGE T18A	\$956
RDJA LAV	RELIEF CARTRIDGE T18A	\$970
RDJA LCN	DIRECT ACTING.DIFF 0-760L T18A	\$968
RDJA LEN	DIRECT ACTING DIFF 0-760L T18A	\$964
RDJA LSV	DIRECT ACTING.DIFF 0-780L T18A	\$982
RPCC LAN	PR/REG REL 0-45LPM T162A	\$143
RPCC LBN	PR/REG REL 0-45LPM T162A	\$143
RPCC LCN	PR/REG REL 0-45LPM T162A	\$155

Part Number	Description	List Price (ex GST)
RPCC LWN	RELIEF CARTRIDGE PO T162A	\$143
RPEC 8DN	MODULATING ELEMENT N/C REL	\$190
RPEC 8WN	MODULATING ELEMENT 0-95LPM T10	\$182
RPEC KBN	PR/REG REL 0-100LMPM T10A	\$186
RPEC KCN	PR/REG REL 0-100LMPM T10A	\$198
RPEC LAN	PR/REG REL 0-100LPM T10A	\$162
RPEC LAV	PR/REG REL 0-100LPM T10A	\$176
RPEC LBN	PR/REG REL 0-100LPM T10A	\$162
RPEC LBV	PR/REG REL 0-100LPM T10A	\$176
RPEC LCN	PR/REG REL 0-100LPM T10A	\$174
RPEC LCV	PR/REG REL 0-100LPM T10A	\$188
RPEC LDN	PR/REG REL 0-100LPM T10A	\$170
RPEC LEN	PR/REG REL 0-100LPM T10A	\$170
RPEC LEV	PR/REG REL 0-100LPM T10A	\$184
RPEC LNN	PR/REG REL 0-100LPM T10A	\$170
RPEC LQN	PR/REG REL 0-100LPM T10A	\$170
RPEC LWN	PR/REG REL 0-100LPM T10A	\$162
RPEC OAN	PR/REG REL 0-100LMPM T10A	\$190
RPEC OCN	PR/REG REL 0-100LMPM T10A	\$202
RPEC ODV	PR/REG REL 0-100LPM T10A	\$212
RPEC OWN	PR/REG REL 0-100LMPM T10A	\$190
RPEE FCN	RAP/RESP REL 0-100LPM T10A	\$172
RPEE LAN	RAP/RESP REL 0-100LPM T10A	\$176
RPEE LCN	RAP/RESP REL 0-100LPM T10A	\$188
RPEE LDN	RAP/RESP REL 0-100LPM T10A	\$184
RPEE LWN	RAP/RESP REL 0-100LPM T10A	\$176
RPET LWN	SOFT RELIEF POPPER T10A 95LPM	\$402
RPGC 8DN	RELIEF T3A ELECTROPROPORTIONAL	\$267
RPGC 8WN	MODULATING ELEM N/C REL T3A	\$259
RPGC LAN	PR/REG REL 0-200LPM T3A	\$239
RPGC LAV	PR/REG REL 0-200LPM T3A	\$253
RPGC LBN	PR/REG REL 0-200LPM T3A	\$239
RPGC LCN	PR/REG REL 0-200LPM T3A	\$251
RPGC LCV	PR/REG REL 0-200LPM T3A	\$265
RPGC LDN	PR/REG REL 0-200LPM T3A	\$247
RPGC LDV	PR/REG REL 0-200LPM T3A	\$261
RPGC LEN	PR/REG REL 0-200LPM T3A	\$247
RPGC LEV	PRESSURE REG REL 0-200L T3A	\$261
RPGC LNN	RELIEF CARTRIDGE 200LPM T3A	\$247
RPGC LQV	PR/REG REL 0-200L T3A	\$261
RPGC LWN	PR/REG REL 0-200LMPM T3A	\$239
RPGC MCN	PR/REG REL 0-200LMPM T3A	\$267
RPGC OAN	PR/REG REL 0-200LMPM T3A	\$267
RPGD ABN	P/O RELIEF VALVE AIR CONT	\$559

Part Number	Description	List Price (ex GST)
RPGE LAN	RAP/RESP REL 0-200LPM T3A	\$254
RPGE LCN	RAP/RESP REL 0-200LPM T3A	\$266
RPGE LDN	RAP/RESP REL 0-200LPM T3A	\$262
RPGE LWN	RAP/RESP REL 0-200LPM T3A	\$254
RPGT LAN	SOFT START REL.0-200LPMPM T3A	\$460
RPGT LCN	SOFT START REL.0-200LPMPM T3A	\$472
RPGT LWN	SOFT START REL.0-200LPMPM T3A	\$460
RPIC 8DN	RELIEF CARTRIDGE T16A	\$508
RPIC 8WN	RELIEF CARTRIDGE T16A	\$500
RPIC LAN	PR/REG REL 0-400LPM T16A	\$480
RPIC LAV	RELIEF CARTRIDGE 400LPM T16A	\$494
RPIC LBN	PR/REG REL 0-400LPMPM T16A	\$480
RPIC LCN	PR/REG REL 0-400LPMPM T16A	\$492
RPIC LCV	PR REG REL 0-400L T16A	\$506
RPIC LDN	PR/REG REL 0-400LPMPM T16A	\$488
RPIC LEN	RELIEF CARTRIDGE 400LPM T16A	\$488
RPIC LNN	PILOT OPERATION RELIEF VALVE	\$488
RPIC LWN	PR/REG REL 0-400LPMPM T16A	\$480
RPIC LAN	RAP/RESP REL 0-400LPMPM T16A	\$486
RPIC LBN	RAP/RESP REL 0-400LPM T16A	\$486
RPIC LCN	RAP/RESP REL 0-400LPMPM T16A	\$498
RPIC LEN	RAP/RESP REL 0-400LPMPM T16A	\$494
RPIC LWN	RAP/RESP REL 0-400LPMPM T16A	\$486
RPIT LWN	BALANCE RELIEF VALVE	\$907
RPKC 8DN	PR/REG REL 0-800L T18A	\$984
RPKC LBN	PR/REG 0-800L T18A	\$970
RPKC LCV	PR/REG REL 0-800L T18A	\$982
RPKC LEV	PR/REG REL 0-800L T18A	\$978
RPKC LWV	PR/REG REL 0-800L T18A	\$970
RPKE LAN	RAPID RESP.REL T18A	\$958
RPKE LBN	RAPID RESP.REL T18A	\$958
RPKE LEN	RAPID RESP.REL T18A	\$966
RPKE LWN	RAPID RESP.REL T18A	\$958
RQCB LAN	KICK DOWN RELIEF 0-50L T162A	\$210
RQEB LAN	KICK-DOWN REL 0-100LPM T10A	\$210
RQEB LCN	KICK-DOWN REL 0-100LPM T10A	\$222
RQGB LAN	KICK-DOWN REL 0-200LPM T3A	\$290
RQGB LCN	KICK-DOWN REL 0-200LPM T3A	\$302
RSBC LAN	SEQUENCE CART T163A	\$197
RSDC 8WN	SEQ INT/PLT EXT/DRN T11A	\$217
RSDC FAN	SEQ INT/PLT EXT/DRN T11A	\$181
RSDC LAN	SEQ INT/PLT EXT/DRN T11A	\$197
RSDC LCN	SEQ INT/PLT EXT/DRN T11A	\$209
RSDC LDN	SEQ INT/PLT EXT/DRN T11A	\$205
RSDC LEN	SEQ INT/PLT EXT/DRN T11A	\$205

Part Number	Description	List Price (ex GST)
RSDC LWN	SEQ INT/PLT EXT/DRN T11A	\$197
RSFC LAN	SEQ INT/PLT EXT/DRN T2A	\$284
RSFC LAV	SEQ INT/PLT EXT/DRN T2A	\$304
RSFC LBN	SEQ INT/PLT EXT/DRN T2A	\$284
RSFC LCN	SEQ INT/PLT EXT/DRN T2A	\$296
RSFC LEN	SEQ INT/PLT EXT/DRN T2A	\$292
RSFE ABN	SEQ PILOT OP. AIR CONTROL T2A SEQUENCE; BALANCED POPPET T2A	\$601
RSFS LCN		\$342
RSHC LAN	SEQ INT/PLT EXT/DRN T17A	\$570
RSHC LBN	SEQ INT/PLT EXT/DRN T17A	\$570
RSHS LAN	CARTRIDGE	\$644
RSHS LCN	BALANCED POPPET SEQUENCE T17A	\$656
RSJC LAN	SEQ INT/PLT EXT/DRN T19A	\$1,161
RSJC LEN	SEQ INT/PLT EXT/DRN T19A	\$1,169
RSJS LAN	SEQ VALVE PILOT OP T19A	\$1,279
RVBA LAN	PR/REG VENT REL T163A	\$218
RVBA LBN	PR/REG VENT REL T163A	\$218
RVBA LWN	PR/REG VENT REL T163A	\$218
RVCA LAN	PR/REG VENT REL T11A	\$218
RVCA LBN	PR/REG VENT REL T11A	\$218
RVCA LCN	PR/REG VENT REL T11A	\$230
RVCA LDN	PR/REG VENT REL T11A	\$226
RVCA LEN	PR/REG VENT REL T11A	\$226
RVCA LHN	PR/REG VENT REL T11A	\$230
RVCA LWN	PR/REG VENT REL T11A	\$218
RVCB LAN	BY-PASS FLO REG & RELIEF	\$271
RVCD LAN	VENTED RELIEF EXT-DRN T21	\$336
RVCD LCN	VENTED RELIEF EXT-DRN T21	\$348
RVCD LDN	VENTED RELIEF EXT-DRN T21A	\$344
RVCF XBN	SOFT START RELIEF	\$240
RVEA LAN	PR/REG VENT REL T2A	\$300
RVEA LBN	PR/REG VENT REL T2A	\$300
RVEA LCN	PR/REG VENT REL T2A	\$312
RVEA LCV	PR/REG VENT REL T2A	\$332
RVEA LHN	PR/REG VENT REL T2A	\$312
RVEA LWN	PR/REG VENT REL T2A	\$300
RVEB LAN	BYPASS COMP&REL CART T2A	\$388
RVED 8WN	VALVE RELIEF PROP N/C T22A	\$490
RVED LAN	VENTED RELIEF EXT-DRN T22	\$470
RVED LBN	VENTED RELIEF EXT-DRN T22	\$470
RVED LCN	VALVE RELIEF EXT-DRN T22A	\$482
RVED LEN	VENTED RELIEF EXT-DRN T22	\$478
RVED LWN	VALVE RELIEF EXT-DRN T22A	\$470
RVES LCN	REL VNTD BALANCED POPPET T2A	\$358

Part Number	Description	List Price (ex GST)
RVET LAN	VENTED SOFT RELIEF EXT/DR T2A	\$520
RVGA LAN	PR/REG VENT REL T17A	\$569
RVGA LBN	PR/REG VENT REL T17A	\$569
RVGA LCN	PR/REG VENT REL T17A	\$581
RVGA LEN	PR/REG VENT REL T17A	\$577
RVGA LFB	PR/REG VENT REL T17A	\$601
RVGA LHN	PR/REG VENT REL T17A	\$581
RVGA LWN	PR/REG VENT REL T17A	\$569
RVGB LCN	MOD/ELEM W- RELIEF FUNCT. T17A	\$753
RVGD LAN	VENTED RELIEF EXT-DRN T23A	\$891
RVGD LCN	VENTED RELIEF EXT-DRN T23	\$903
RVGD LDN	VENTED RELIEF EXT-DRN T23	\$899
RVGE LWN	HIGH PILOT FLOW T17A	\$662
RVIA KWN	PR/REG VENT RELIEF T19A	\$1,212
RVIA LAN	PR/REG VENT RELIEF T19A	\$1,188
RVIA LAV	PR/REG VENT RELIEF T19A	\$1,208
RVIA LCN	PR/REG VENT RELIEF T19A	\$1,200
RVIA LCV	PR/REG VENT RELIEF T19A	\$1,220
RVIA LDN	PR/REG VENT RELIEF T19A	\$1,188
RVIA LHN	PR/REG VENT RELIEF T19A	\$1,200
RVIA LWN	PR/REG VENT RELIEF T19A	\$1,188
RVIB LAN	BYPASS COMP&REL CART T2A	\$1,480
RVID LAN	VENTABLE REL EXT DRN T24A	\$1,715
RVID LCN	VENTABLE REL EXT DRN T24A	\$1,727
RVIS LAN	VENTABLE R/VALVE PILOT OP T19A	\$1,303
SCCA LAN	SEQ DIR/ACT 0-60LPM T11A	\$260
SCCA LBN	SEQ DIR/ACT 0-60LPM T11A	\$260
SCCA LCN	SEQ DIR/ACT 0-60LPM T11A	\$272
SCCA LDN	SEQ DIR/ACT 0-60LPM T11A	\$268
SCCA LWN	SEQ DIR/ACT 0-60LPM T11A	\$260
SCCB LAN	SEQ DIR/ACT 0-60LPM T11A	\$283
SCEA LAN	SEQ DIR/ACT 0-120LPM T2A	\$362
SCEA LBN	SEQ DIR/ACT 0-120LPM T2A	\$362
SCEA LDN	CARTRIDGE T2A SEQ	\$370
SCEA LWN	SEQ DIR/ACT 0-120LPM T2A	\$362
SCGA LAN	SEQ DIR/ACT 0-240LPM T17A	\$659
SCGA LBN	SEQ DIR/ACT 0-240LPM T17A	\$659
SCGA LCN	SEQ DIR/ACT 0-240LPM T17A	\$671
SCGA LDN	SEQ DIR/ACT 0-240LPM T17A	\$667
SCGA LWN	SEQ DIR/ACT 0-240LPM T17A	\$659
SCIA LAN	SEQ DIR/ACT 0-400LPM T19A	\$1,552
SCIA LBN	SEQ DIR/ACT 0-400LPM T19A	\$1,552
SCIA LCN	SEQ DIR/ACT 0-400LPM T19A	\$1,564
SQDB LAN	KICK-DOWN SEQ 0-60LPM T11A	\$264
SQFB LAN	KICK-DOWN SEQ 0-120LPM T2A	\$370

Part Number	Description	List Price (ex GST)
SQHB LAN	KICK-DOWN SEQ 0-240LPM T17A	\$712
SXCA LDN	VALVE SEQUENCE T11A	\$214
SXCA LEN	DIRECT ACTING SEQUENCE T11A	\$218
SXCB LAN	DIR/ACT ATMO SEQUENCE T13A	\$262
XAAA 8XN	T8A TO WATERMAN 12-2 CVTY	\$90
XAAA 8XV	T8A TO WATERMAN 12-2 CVTY	\$104
XACA XXN	PLUG T8A ALL BLOCKED	\$64
XACA XXV	PLUG T8A CAVITY ALL BLOCK	\$78
XACB XXN	PLUG T9A ALL BLOCKED	\$74
XAOA XXN	PLUG T8A ALL OPEN	\$37
XAOB XXN	PLUG T9A 1+2 OPEN 3 BLOCKED	\$64
XAOC XXN	PLUG T9A 1-3 OPEN 2 BLOCKED	\$64
XBCA XXN	PLUG T2A ALL BLOCKED	\$120
XBOA XXN	PLUG T2A 1+2 OPEN 3 BLOCKED	\$74
XBOA XXV	PLUG T2A 1+2 OPEN 3 BLOCKED	\$94
XCCA XXN	PLUG T3A ALL BLOCKED	\$120
XCOA XXN	PLUG T3A/T5A ALL OPEN	\$65
XDCA XXN	PLUG T5A ALL BLOCKED	\$120
XDOC GXN	CAVITY ADAPTOR T5A to T13A	\$379
XEAA XXN	PLUG T11A	\$110
XECA XXN	PLUG T11A ALL BLOCKED	\$97
XEOA XXN	PLUG T11A 1+2 OPEN 3 BLOCKED	\$56
XFAA 8XN	CAVITY ADAPTOR T10A	\$137
XFCA XXN	PLUG T10A ALL BLOCKED	\$82
XFOA XXN	PLUG T10A/T13A ALL OPEN	\$47
XGCA XXN	PLUG T13A ALL BLOCKED	\$82
XHCA XXN	PLUG T17A ALL BLOCKED	\$198
XHOA XXN	PLUG T17A PORT3 BLOCKED	\$100
XICA XXN	PLUG T16A ALL BLOCKED	\$198
XIOA XXN	PLUG T16A PORT1+2 OPEN	\$90
XJCA XXN	PLUG T19A ALL BLOCKED	\$338
XJCA XXV	PLUG T19A ALL BLOCKED	\$358
XJOA XXN	PLUG T19A	\$134
XJOA XXV	PLUG T19A 1-2 3 BLOCKED	\$154
XKCA XXN	PLUG T18A ALL BLOCKED	\$266
XKCA XXV	PLUG T18A BLOCKED	\$280
XKOA XXN	PLUG T18A ALL PORTS OPEN	\$124
XMCA XXN	PLUG T21A ALL BLOCKED	\$142
XMOA XXN	PLUG T61A PORTS 5+6 BLOCKED	\$69
XNCA XXN	PLUG T22A ALL BLOCKED	\$166
XNOA XXN	PLUG T62A + T22A OPEN	\$93
XPCA XXN	PLUG T23A ALL BLOCKED	\$246
XPOA XXN	PLUG T63A PORTS 5+6 BLOCKED	\$129
XQCA XXN	PLUG T24A ALL BLOCKED	\$384
XQCA XXV	PLUG T24A	\$408

Part Number	Description	List Price (ex GST)
XQOA XXN	PLUG T64A PORTS 5+6 BLOCKED	\$205
XRCA XXN	PLUG T31A ALL BLOCKED	\$142
XRCC XXN	PLUGT61A ALL PORTS BLOCKED	\$165
XSCA XXN	PLUG T32A ALL BLOCKED	\$185
XTCA XXN	PLUG T33A ALL BLOCKED	\$246
XVCA XXN	PLUG T34A ALL BLOCKED	\$384
XZBA XXN	PLUG T163A PORT 2 BLOCKED	\$92
XZCA XXN	PLUG T162A ALL CLOSED	\$56
XZCB XXN	PLUG T163A ALL BLOCKED	\$82
XZOA XXN	PLUG T162A 1&2 OPEN	\$37
XZOB XXN	PLUG T163A PORTS 1&2 OPEN	\$47

# Manifolds and Bodies

Sun offers line mount, motor mount, sandwich and subplate manifolds that are all available in a choice of aluminum (3000 psi/210 bar) or ductile iron (5000 psi/350 bar). Port choices include threaded and code 61 and code 62 flanges.

In addition to standard manifolds, Sun designs and manufactures custom manifolds for application specific requirements.

## Line Mount

Sun offers more than 300 single and multiple cavity standard line mount manifolds that are each available in a choice of aluminum (3000 psi/210 bar) or ductile iron (5000 psi/350 bar). Ports include NPTF, SAE, BSPP and Code 61 and Code 62 flanges.

## Sandwich

Sun offers more non-solenoid sandwich functions in interface sizes ISO 02 through ISO 08 than any other manufacturer of sandwich valves. All sandwiches are offered in a choice of aluminum (3000 psi/210 bar) or ductile iron (5000 psi/350 bar). Many unique functions are available to solve tough circuit problems.

## Motor Mount

Sun Hydraulics manufactures a broad variety of pressure control, flow control and load control manifolds with mounting configurations that match the bolt patterns on many commercially available hydraulic motors, including, but not limited to: Charlynn, Danfoss, Staffa, HPI, White, and TRW Ross. All motor mount manifolds are available in a choice of aluminum (3000 psi/210bar) or ductile iron (5000 psi/210 bar).

## Subplate

Sun subplates are available in ISO 03 through ISO 08 interfaces and each is offered in a choice of aluminum (3000 psi/210bar) or ductile iron (5000 psi/210 bar). Subplates are offered with side porting, rear porting or side porting with gasket mount tank ports.



Part Number	Description	List Price (ex GST)
Aluminium Bodies		
AAI	T162A BODY	\$69
AAJ	T162A BODY	\$83
AAT	BODY 90DEG 1/4IN BSPP T162A	\$69
AAU	BODY 3/8IN BSPP T162A	\$69
AAV	BODY 1/2IN BSPP T162A	\$83
ABP	BODY T162A CETOP 3 A-T	\$248
ABW	CETOP 3 T162A METER IN	\$209
ABZ/M	CETOP 3 T162A P to T	\$206
ACI	INLINE MOUNT 9/16UNO T162A	\$75
ACT	INLINE MOUNT 1/4BSPP T162	\$75
ACU	BODY IN LINE 3/8" BSP T162A	\$75
AEI	T162A BODY	\$94
AEJ	T162A BODY	\$122
AET	BODY THRU PORT 1/4IN T162A	\$94
AEU	BODY THRU PORT 3/8IN T162A	\$94
AYI	DUAL X-PORT 9/16UNO T162A	\$146
AYT	BODY CROSS-PORT 1/4IN T162A	\$146
AYU	BODY CROSS-PORT 3/8IN T162A	\$146
B2K	BODY T2A W/REV-CK 7/8IN UNO	\$373
B2V	BODY T2A W/REV-CK 1/2IN BSPP	\$373
B2W	BODY T2A W/REV-FL-CK-PR-R	\$373
B4J	BODY T2A C/W REV FLO CHECK	\$373
B4W	BODY T2A C/W REV FLO CHCK	\$373
B6W	BODY 3/4IN BSPP C/W REV FF CHE	\$400
B7W	THROUGH PORT C/W CHECK T2A	\$438
B8W	BODY DUAL SEQUENCE T2A C/W CHC	\$858
BAK	BODY 7/8IN UNO T2A SAE 10	\$173
BAL	BODY 1 1/16IN UNO T2A	\$173
BAV	BODY 1/2IN BSPP T2A	\$173
BAW	BODY 3/4IN BSPP T2A	\$173
BB2	CETOP5 BODY T2A C/W REV CHCK	\$656
BB2/Y	CETOP 5 T2A C/W CHECK	\$1,109
BB3	CETOP5 T2A C/W REV FF CHK	\$656
BB4	SEQUENCE ON B T2A	\$668
BB5	SEQUENCE ON B T2A	\$668
BB8	CETOP5 SAND/BODY T2A	\$1,293
BB9	CETOP5 SAND/BODY T2A	\$934
BBA/M	CETOP 5 T2A	\$326
BBB	BODY CETOP5 T2A	\$326
BBP	CETOP 5 R/R T2A	\$313
BBW	BODY SQ RSFC T2A	\$416
BBY	CETOP 5 DUAL R/R T2A	\$572
BCD	BODY 3/4IN NPT T2A	\$142

Part Number	Description	List Price (ex GST)
BCI	BODY 9/16IN UNO T2A	\$142
BCJ	BODY 3/4IN UNO T2A	\$142
BCK	BODY 7/8IN UNO T2A	\$142
BCL	BODY 1 1/16IN UNO T2A	\$142
BCV	BODY 1/2IN BSPP T2A	\$142
BCW	BODY 3/4IN BSPP T2A	\$142
BDW	T2A BODY 3/4IN BSPP T2A	\$156
BGK	BODY SAE-10 T2A W-SHUTTLE	\$372
BGW	BODY 3/4IN BSPP T2A W-SHUTTLE	\$372
BIW	DUAL T2A DIRECT ACT. SEQUENCE	\$438
BJ2	CETOP5H BODY T2A C/W REV CHK	\$766
BJA	CETOP5 H X Y T2A	\$435
BJB	CETOP5 X&Y T2A	\$456
BJC	CETOP5H X&Y T2A P-T	\$611
BJP	BODY 02H T2A	\$452
BJS	BODY 02H LOAD SENCE SAND T11A	\$271
BJY	BODY 02H DUAL T2A	\$721
BK2	CETOP7 RED C/W REV FF CHECK	\$1,252
BKA	CETOP 7 T17A	\$869
BKB	BODY CETOP7 C/B SAND	\$869
BKJ	CETOP7 T17A C/W CHECK	\$1,304
BKP	BODY CETOP7 T17A RED ON P	\$901
BKP/M	CETOP7 T17A on P	\$901
BKQ	BODY T17A	\$859
BKY	CETOP7 DUAL A & B T17A	\$1,281
BMW	BODY 2 CAVITY T2A C/W CHECKS	\$797
BPW	DUAL T2A LOAD CONTROL W/CKS	\$1,113
BSK	ISO5 SIDE PORT T2A SUB PL	\$411
BVJ	BODY IN LINE 9/16 UNO T2A	\$266
BVL	BODY INLINE 1 1/16IN UNO T2A	\$266
BVV	BODY INLINE 1/2IN BSPP T2A	\$266
BYZ	DUAL T2A CETOP5 VITON	\$660
CAJ	BODY 1/2IN UNO T3A SAE 8	\$92
CAK	BODY 7/8IN UNO T3A SAE 10	\$97
CAL	BODY 1 1/16IN UNO T3A	\$97
CAM	BODY 1 5/16IN UNO T3A SAE 16	\$191
CAT	BODY 1/4IN BSPP T3A	\$97
CAV	BODY 1/2IN BSPP T3A	\$97
CAW	BODY 3/4IN BSPP T3A	\$97
CAX	BODY 1IN BSPP T3A	\$191
CB2	CETOP5 T3A Atot+FF CHECK	\$598
CBA	BODY T3A ISO5 Atot HI-CAPACITY	\$315
CBD	DUAL T10A CETOP 5 A&B TO T	\$328
CBE	CETOP 5 RELIEF T10A P TO T	\$328

Part Number	Description	List Price (ex GST)	Part Number	Description	List Price (ex GST)
CBF	BODY CETOP 5 T10A A to T	\$287	DJE	BODY CETOP 5	\$652
CBG	CETOP 5 T10A B to T	\$300	DJO	CETOP 5 H T16A HI CAPACITY	\$602
CBH/M	CETOP 5 T10A AtoB OR BtoA	\$217	DJP	CETOP5 H BODY T5A	\$371
CBI	CETOP5 DUAL RELIEF T10A	\$338	DJS	CETOP5 H BODY T5A	\$301
CBP	CETOP 5 T3A HI-FLOW P to T	\$284	DJZ	CETOP5 H T16A HIGH-FLOW	\$874
CBT	CETOP 5 T3A Out of T HI-FLOW	\$336	DKD	BODY	\$812
CBX	CETOP5 RELIEF T3A A & B to T	\$459	DKO	BODY T18A	\$961
CBY	CETOP5 RELIEF T3A A to B & B t	\$427	DKP	BODY	\$781
CDA	CETOP 8 T3A A to T	\$566	DKS	BODY CDAA LOAD SENSE T13A	\$416
CDP	BODY CETOP 8 P to T T3A	\$510	DKU	CETOP5 SUBPLATE	\$1,328
CDX	BODY - MANUFACTURED	\$597	DKY	CETOP7 DUAL MET/OUT A4BT16	\$1,034
CDY	BODY RPGC CETOP8 SW	\$582	DKZ	CETOP7 DUAL T16A	\$1,080
CEL	BODY 1 1/16IN UNO T3A SAE 12	\$173	E2I	9/16"UNO T11A C/W REV F/FLO CK	\$265
CEM	BODY RPGC SAE-16 T3A	\$234	E2K	BODY 7/8IN UNO C/W REV F/FLO T	\$265
CEV	BODY 1/2IN BSPP T3A	\$173	E2T	BODY 1/4IN BSPP T11A C/W GAUGE	\$265
CEW	BODY 3/4IN BSPP T3A	\$173	E2U	BODY 3/8IN BSPP T11A C/W REV C	\$265
CEX	BODY RPGC 1IN BSPP T3A	\$234	E2V	BODY 1/2IN BSPP T11A C/W REV C	\$265
CGW	BODY T3A 3/4 BSP	\$113	E4V	BODY T11A C/W HI-FLO-CHK	\$265
CKA	BODY RF RPGC T3A	\$576	E6K	BODY T11A	\$265
CKA/M	BODY T3A	\$576	E6V	BODY 1/2IN BSPP T11A C/W REV C	\$265
CKB/M	CETOP7 RELIEF B TO T	\$578	E8K	DUAL SEQ C/W REV FLO CHK	\$649
CKP	CETOP7 BODY PtoT T3A	\$494	E8V	DUAL SEQ C/W REV T11A FLO CHK	\$649
CKX	BODY A&B TO T T3A	\$836	EAB	BODY 3/8IN NPT T11A	\$119
CKY	CETOP 7 DUAL T10A	\$594	EAJ	BODY 3/4IN UNO T11A	\$119
CMV	BODT T3A X-LINE REL C/W CHECK	\$810	EAK	BODY 7/8IN UNO T11A	\$119
CMW	BODY T3A X-LINE REL C/W CHECKS	\$810	EAU	BODY 3/8IN BSPP T11A	\$119
CNW	BODY T3A C/W REV FREE FLO CHK	\$370	EAV	BODY 1/2IN BSPP T11A	\$119
CSX	SUBPLATE CETOP8 C/W RELIEF P T	\$651	EB2	CETOP 3 T11A C/W REV FF CHK	\$535
DAJ	BODY 90 DEG SAE8 T5A	\$97	EB3	CETOP 3 T11A C/W REV FF CHK	\$515
DAK	BODY CK+FR SAE-10 T5A	\$97	EB4	BODY CETOP 3 T11A W-REV FF CHK	\$527
DAU	BODY 3/8IN BSPP T5A	\$97	EB5	BODY CETOP 3 T11A W-REV FF CHK	\$547
DAV	BODY 1/2IN BSPP T5A	\$97	EB8	BODY CETOP 3 T11A CUSHION LOCK	\$1,136
DBA	CETOP 5 BODY T5A	\$266	EB9	CETOP 3 T11A REDUCER on A & B	\$803
DBB	CETOP 5 RESTRICTOR T5A	\$266	EBA/M	CETOP 3 T11A BSPP GAUGE PT	\$262
DBC	CETOP 5 T5A FLOW CONTROL	\$305	EBE	CETOP 3 T11A ON A/ B DRN P/T	\$312
DBP	CETOP 5 FLOW REGULATOR T5A	\$271	EBK	BODY T11A	\$401
DBQ	CETOP5 T5A BODY	\$287	EBP/M	CETOP 3 T11A	\$295
DBR	CETOP5 DUAL T5A T to A&B	\$586	EBQ	CETOP 3 BODY T11A	\$392
DBS	CETOP 5 L/SENSING T13A	\$244	EBW	BODY T11A In to P	\$295
DBT	CETOP5 T5A BODY	\$308	EBW/M	BODY T11A In to P	\$295
DBW	CETOP5 DUAL T5A T to A&B	\$502	EBY	CETOP 3 DUAL T11A	\$439
DBX	CETOP 5 A&B to T T5A	\$459	ECB	BODY 3/8IN NPT T11A	\$92
DBY	BODY CETOP 5 T5A	\$332	ECC	BODY 1/2IN NPT T11A	\$92
DCK	BODY 7/8IN UNO T5A	\$106	ECH	BODY T11A	\$92
DCV	BODY 1/2IN BSPP T5A	\$106			

Part Number	Description	List Price (ex GST)
ECI	BODY SAE-6 T11A	\$92
ECJ	BODY SAE-8 T11A	\$92
ECK	BODY 7/8IN UNO T11A	\$92
ECT	BODY 1/4IN BSPP T11A	\$92
ECU	BODY 3/8IN BSPP T11A	\$92
ECV	BODY 1/2IN BSPP T11A	\$92
EDT	BODY T11A 1/4IN BSP	\$129
EDU	BODY T11A 3/8IN BSP	\$129
EDV	BODY T11A 1/2IN BSPP	\$129
EFI	BODY 9/16 UNO T11A	\$117
EFT	BODY T11A 1/4IN BSPP C/W GAUGE	\$117
EFU	3/8 MANIFOLD BODY T11A	\$117
EFV	BODY T11A 1/2IN BSPP C/W GAUGE	\$117
EGV	BODY 1/2IN BSPP T11A	\$254
EHK	BODY LINE MNT THRO PORT T11A	\$193
EHU	BODY LINE MNT THRO PORT T11A	\$193
EHV	BODY LINE MNT THRO PORT	\$193
EIU	BODY 3 PORT 2 CYL. SEQUENCE	\$332
EIV	DUAL T11A DIRECT ACT. SEQUENCE	\$332
EJI	BODY 9/16IN UNO T11A	\$125
EJJ	BODY 3/4IN UNO T11A	\$125
EJV	BODY T11A 1/2IN BSPP	\$125
ELJ	BODY 3/4IN UNO T11A GAUGE PORT	\$132
ELK	BODY SAE-10 T11A GAUGE PORT	\$132
ELV	BODY T11A HI-FLO.C/W GAUGE POR	\$132
EMV	BODY 1/2IN T11A	\$683
ENU	DUAL T11A W-LOAD CHECK+SHUTTLE	\$782
ENV	BODY LINE MOUNT T11A	\$782
EPV	DUAL LOAD CONTROL T11A C/W CHK	\$934
EQU	DUAL LOAD CONTROL T11A W- SHTL	\$956
ESJ	ISO 3 SIDE PT SUB PL.RED ON P	\$363
FAI	BODY 9/16IN UNO RF RPEC SAE-6	\$80
FAJ	BODY 3/4IN UNO T10A SAE-8	\$80
FAK	BODY 7/8IN UNO T10A SAE-10	\$97
FAL	BODY SAE-12 UNO T10A	\$97
FAT	BODY 1/4IN BSPP T10A	\$80
FAU	BODY 3/8IN BSPP T10A	\$80
FAV	BODY 1/2IN BSPP T10A	\$97
FAW	BODY 3/4IN BSPP T10A	\$97
FAX	BODY 1IN BSPP T10A	\$101
FB2	CETOP3 T10A C/W FF CK toT	\$492
FBA/M	CETOP 3 T10A	\$241
FBC	CETOP3 RELIEF T10A	\$244

Part Number	Description	List Price (ex GST)
FBP	CETOP 3 RELIEF T10A	\$217
FBP/M	CETOP3 T10A BSPP GAUGE PT	\$217
FBT/M	CETOP3 T10A HI/FLO REL	\$281
FBX	CETOP 3 DUAL T10A	\$378
FBY	CETOP 3 DUAL T10A	\$298
FCU	BODY 3/8IN BSPP 10A	\$88
FCV	BODY 1/2IN BSPP T10A	\$88
FEJ	BODY 3/4IN UNO T10A	\$108
FEK	BODY 7/8IN UNO T10A	\$108
FEU	BODY 3/8IN BSPP T10A	\$108
FEV	BODY 1/2IN BSPP T10A	\$108
FEW	BODY 3/4IN BSPP T10A	\$134
FGV	BODY	\$99
FMV	BODY CR/LINE REL C/W CK T10A	\$580
FNB	BODY T10A C/W REV-FL-CK 3/8 NP	\$273
FNU	BODY T10A C/W REV-FL-CK 3/8I B	\$273
FNV	BODY T10A C/W REV-FL-CK 1/2 B	\$273
FRV	SUBPLATE 05 1/2IN BSPP T10A	\$452
FSJ	SUBPLATE 03 SAE-8 T10A	\$331
FSU	SUBPLATE 03 3/8IN BSPP T10A	\$331
FSV	SUBPLATE CETOP5 T10A	\$368
FSW	SUBPLATE CETOP5 T10A 3/4IN	\$504
GAA	BODY 1/4IN NPT T13A	\$80
GAI	BODY 9/16IN UNO T13A	\$80
GAJ	BODY 3/4IN UNO T13A	\$80
GAT	BODY 1/4IN BSPP T13A	\$80
GAU	BODY CK+FR 3/8IN BSPP T13A	\$80
GAV	BODY CK+FR 1/2IN BSPP T13A	\$102
GBA	CETOP 3 RESTRICTOR T13A	\$226
GBD	CETOP3 METER IN/OUT T5A	\$321
GBE	CETOP3 T5A HI-CAPACITY	\$325
GBF	CETOP3 T5A HI-CAPACITY	\$436
GBO	CETOP 3 T5A HIGH FLOW	\$309
GBP	CETOP 3 FLOW REG T13A	\$204
GBQ/M	CETOP 3 BSP GAUGE PORT T13A	\$232
GBS	CETOP 3 LOAD SENSE T13A	\$167
GBW	CETOP3 FLOW REG T13A	\$231
GBX	BODY CK CKCB T13A	\$377
GBY	CETOP 3 DUAL T13A METER IN	\$264
GBZ	CETOP3 DUAL T5A METER IN HI CA	\$395
GCI	BODY SAE-6 T13A	\$80
GCJ	BODY 3/4IN UNO T13A	\$80
GCT	BODY 1/4IN BSPP T13A	\$80
GCU	BODY CK&FR 3/8IN BSPP T13A	\$80
GDA	CETOP 3 T13A	\$226



Part Number	Description	List Price (ex GST)
GDA/V	CETOP3 BODY T13A VITON	\$226
GDP	CETOP3 CHECK ON P T13A	\$204
GDY	CETOP 3 DUAL T13A CHECK VALVE	\$264
H2X	BODY T17A 1" BSPP	\$822
H3X	BODY T17A 1" BSPP	\$857
H4W	BODY T17A C/W CHECK	\$838
H7M	BODY T17A c/w CHECK	\$878
HBP	CETOP8 SAND BODY T17A	\$972
HBV	CETOP8 SAND BODY T19A	\$2,056
HCF	BODY 1 1/4 IN NPT T17A	\$331
HCL	BODY 1 1/16IN UNO T17A	\$331
HCM	BODY 1 5/16IN UNO T17A	\$331
HCN	BODY 1 5/8IN UNO T17A	\$331
HCW	BODY PR RVGA 3/4IN BSPP T17	\$331
HCX	BODY 1IN BSPP T17A	\$331
HCY	BODY 1 1/4IN BSPP T17A	\$331
HDE	BODY T17A 1IN NPT	\$398
HDX	BODY T17A 1" BSPP	\$398
HEM	BODY 15/16IN UNO T17A	\$394
HEN	BODY 1 5/8IN UNO T17A	\$394
HEX	BODY T17A 1IN BSPP	\$394
HEY	BODY T17A 1 1/4IN BSPP	\$394
HFW	90 DEG T17A W/T GAUGE PT	\$328
HFX	90 DEG T17A W/T GAUGE PT	\$328
HGL	BODY WITH SHUTTLE T17A	\$424
HGX	BODY WITH SHUTTLE T17A	\$424
HHF	BODY THROUGH PORT T17A NPT	\$367
HNX	DUAL LOAD CTRL C/W CHECKS	\$1,943
HQX	DUAL W-CHECKS & SHUTTLE	\$2,733
IAD	BODY 3/4IN NPT T16A	\$259
IAE	BODY 1IN NPT T16A	\$259
IAL	BODY 1 1/16IN UNO T16A	\$259
IAM	BODY 1 5/16IN UNO T16A	\$259
IAN	BODY 1 5/8IN UNO T16A	\$259
IAS	BODY 2IN SAE CODE 61 T16A	\$666
IAX	BODY 1IN BSPP T16A	\$259
IAY	BODY 1 1/4IN BSPP T16A	\$259
IBO	CETOP 8 T18A METER IN 'P'	\$1,056
IBP	CETOP 8 T16A ON 'P'	\$841
IBZ	BODY CETOP 8	\$1,294
ICN	BODY 1 5/8IN UNO T16A BODY	\$259
ICX	BODY CK FR 1BSPP T16A	\$259
ICY	BODY 1 1/4IN BSPP CHECK & FLOW	\$259
IEM	BODY 1 5/16IN UNO T16A	\$323
IEQ/M	BODY 1.25IN CODE 61 T16A	\$607

Part Number	Description	List Price (ex GST)
IEX	BODY 1IN BSPP T16A	\$323
JCH	BODY T163A 7/16IN UNO	\$85
JCI	BODY T163A 9/16IN UNO	\$85
JCT	BODY T163A 1/4IN BSPP	\$85
JCU	BODY T163A 3/8IN BSPP	\$85
JYI	DUAL X-PORT 9/16UNO T163A	\$184
JYU	DUAL X-PORT 3/8IN BSPP T163A	\$184
K2Y	BODY T19A C/W REV FF/CK	\$1,351
KCN	BODY LINE MT 1 5/8IN UNO T19A	\$451
KCR	BODY 1 1/2IN SAE FLANGE T19A	\$699
KEN	BODY T19A HI-CAPACITY PORT 3	\$583
KER	BODY T19A 1.50IN CODE 61	\$881
KEY	BODY 1 1/4IN BSPP T19A	\$583
KFX	BODY T19A C/W GAUGE PORT	\$444
KFY	BODY T19A C/W GAUGE PORT	\$444
KHY	BODY 1 1/4IN BSPP T19A	\$636
LAM	BODY T18A 1-5/16IN UNO	\$430
LAN	BODY T18A 1-5/8IN UNO	\$430
LAR	BODY 1.5IN SAE CODE 61 T18A	\$670
LAS	BODY 2 IN SAE CODE 61 T18A	\$738
LAX	BODY 1IN BSPP T18A	\$430
LAY	BODY 1 1/4IN BSPP T18A	\$430
LER	BODY T18A 1 1/2IN SF THRU PT	\$868
LEY	BODY T18A 1.1/4IN BSPP THRU PT	\$481
M4V	BODY 1/2" BSPP T-21A C/W CHECK	\$316
MAI	BODY T21A STEEL 9/16IN UNO	\$142
MAU	BODY 3/8IN BSPP T21A	\$142
MAV	BODY 1/2IN BSPP T21A	\$142
MB3/M	CETOP 3 RED/REL ON B T21A W-CK	\$690
MBB	CETOP 3 T21A ON B VENT TO T	\$413
MBP/M	BODY CETOP3 T21A PtoT	\$510
MBY	BODY CETOP 3 DUAL T21A	\$684
MMI	BODY 9/16IN UNO T31A	\$124
MMT	BODY 1/4 BSPP T31A	\$124
MMU	BODY 3/8IN BSPP T31A	\$124
MMV	BODY 1/2IN BSPP T31A	\$124
MNI	BODY T31A 9/16IN UNO	\$161
MNU	BODY T31A 3/8IN BSPP	\$161
MNV	BODY T31A 1/2IN BSPP	\$161
MPI	BODY T61 A 6PORT	\$265
MPK	BODY T61 A	\$265
MPT	BODY T61A	\$265
N4J	BODY T2A W/REV-FL-CK-PR-R	\$451
N4W	BODY T2A W/REV-FL-CK-PR-R	\$451
NAL	BODY T22A	\$189

Part Number	Description	List Price (ex GST)
NAW	BODY 3/4IN BSPP T22A	\$189
NBA	CETOP5 T22A On AtoT	\$517
NBB	CETOP5 T22A On BtoT	\$550
NBP/M	CETOP5 T22A On PtoT	\$544
NJY	CETOP5 H DUAL C/B T22A VtoT	\$934
NMV	BODY 1/2IN BSPP T32A	\$229
NMW	BODY 3/4IN BSPP T32A	\$229
NNW	BODY 3/4IN BSPP T32A	\$252
NPL	BODY T62A LINE MNT 1 1/16IN UN	\$372
P4L	BODY C/W REV FREE FLO CHECK	\$804
P4X	BODY T23A C/W REVCHECK 1INBSPP	\$804
PAM	BODY UNO T23A	\$413
PAW	BODY 3/4IN BSPP T23A	\$413
PAX	BODY 1IN BSPP T23A	\$413
PML	BODY 1 1/16 UN T33A	\$377
PMM	BODY 1 5/16IN UNO T33A	\$377
PMW	BODY 3/4IN BSPP T33A	\$377
PMX	BODY 1IN BSPP T33A	\$377
PPX	BODY T63A	\$514
QAN	BODY 4 PORT T24A	\$712
QCN	BODY T24A 1.5/8IN UNO	\$626
QCY	BODY T24A 1 1/4IN BSPP	\$626
QMN	BODY 1 5/8IN UNO T34A	\$779
QMP	BODY 1IN SAE CODE 61 T34A	\$703
QMX	BODY 1IN BSPP T34A	\$779
QMY	BODY F/DIV T34A	\$779
QPN	BODY T64A 1 5/8IN UNO	\$990
VCW	DUAL BODY 3/4BSPP T10A	\$297
VZM	T10A EATON 2000 X-LINE REL.	\$332
VZX/M	EATON 4000 DIR.MT.DUAL C/BAL	\$661
W2Z	BODY 1.1/2 IN SAE CODE 61 T18A	\$853
W5A	CETOP5 DUAL T2A	\$558
W8A	PANEL MOUNT T10A 1/4NPT	\$105
WBN	BODY CETOP 3 T-11A ON P	\$290
WCC/M	ISO 5 T17A RED/REL ON P	\$725
WDN	DUAL T11A OMT MOTOR MTG	\$356
WFM	BODY 3/8IN NPT T8A	\$96
WFO	BODY 9/16IN UNO T8A	\$96
WFQ	BODY T8A 3/8IN BSPP	\$96
WFU	BODY 9/16IN UNO T9A	\$119
WFO	BODY 9/16IN UNO T8A	\$96
WFV	BODY 1/4IN BSPP T9A	\$119
WFW	BODY SOL T9A	\$119
WHY	ISO 5 T2A PRIO FLO ON A	\$842
WKW	DIR/MT DUAL C/B OMT D/FOS	\$350

Part Number	Description	List Price (ex GST)
WNE	LOAD CTL ON B T2A OMS MOTOR	\$256
WPE	BODY T11A NIPPLE MOUNT	\$254
WPY	BODY T2A 1/2IN BSPP	\$253
WPZ	BODY INLINE THRU CBEG T2A	\$253
WQI	DIR/MT DUAL C/B OMS D/F0S	\$320
WQR	DIR/MT C/B DUAL OMS+SHTLE	\$473
WVF	DUAL C/L RELIEF OMS T10A	\$198
WVQ	DUAL X-LINE REL OMP/OMR	\$310
WVV	SINGLE RELIEF T10A OMP/OMR	\$240
WYX/M	FLANGE MOUNT .75" CODE 61	\$365
WZC	OMP DUAL M/IN FLOW C/TROL	\$287
WZK	DUAL BODY T11A	\$419
WZR	SINGLE BODY T11A	\$468
WZU	DUAL BODY T11A	\$554
X6L	CETOP3 SUBPLATE ON P T13A	\$331
X7F	CETOP 3 RESRICTOR 'A' PORT T13	\$347
XAL	DUAL BODY 1 1/16IN UNO T2A	\$340
XAW	DUAL BODY 3/4IN BSPP T2A	\$340
XEJ	DUAL INLINE T11A	\$242
XEU	DUAL BODY 3/8IN INLINE T11A	\$242
XEV	DUAL BODY 1/2IN BSPP T11A	\$242
XFV	DUAL BODY T21A	\$279
XGJ	DUAL T11A WITH SHUTTLE 3/4 UNO	\$379
XGU	DUAL T11A WITH SHUTTLE 3/8 BSP	\$379
XHW	BODY INLINE W/SHUTTLE T2A	\$779
XIW	DUAL BODY T22A CROSS PILOT	\$356
XJW	BODY DUAL 3/4IN BSPP T17A	\$892
XPJ	DUAL X PILOT BODY T21A	\$286
XPV	DUAL X PILOT BODY T21A	\$286
XVE	DUAL LOAD CONT T2A 2000 CHARLY	\$444
XVK	INLINE BODY T11A 3/8IN BSPP	\$220
XVO	DUAL T11A GASKET MTG 3/4UNO	\$336
XVQ	DUAL T11A GASKET MTG 3/8IN BSP	\$336
XWR	DUAL BODY T13A 3/8IN BSPP	\$184
XXV	BODY T10A DIRECT MOUNT	\$726
XYT	BODY T2A CHARLYNN 2000 SHUTTLE	\$620
XZP	DUAL T19A CODE61 1.1/2IN	\$1,931
XZQ/M	INLINE DUAL SHUTTLE T19A	\$2,106
YAJ	BODY DUAL 3/4 UNO T2A	\$232
YAK	DUAL 7/8IN UNO T2A	\$232
YAL	BODY T2A	\$232
YAV	BODY DUAL 1/2IN BSPP T2A	\$232
YAW	BODY CB CBE* 3/4IN BSPP T2A	\$259
YBK	DUAL 7/8IN UNO T3A	\$224

Part Number	Description	List Price (ex GST)
YBW	DUAL 3/4"BSPP T3A	\$406
YCW	DUAL 3/4IN BSPP T3A	\$482
YCX	BODY DUAL 1IN BSPP T3A	\$482
YEI	DUAL 9/16IN UNO T11A	\$168
YEJ	DUAL 3/4IN UNO T11A	\$168
YEK	DUAL 7/8IN UNO T11A SAE-10	\$168
YET	BODY T11A	\$168
YEU	DUAL 3/8IN BSPP T11A	\$168
YEV	DUAL 1/2IN BSPP T11A	\$168
YFB	DUAL BODY 3/8IN NPT T10A	\$178
YFI	DUAL BODY 9/16IN UNO T10A	\$178
YFJ	DUAL BODY 3/4IN UNO T10A	\$178
YFK	DUAL BODY 7/8IN UNO T10A	\$178
YFU	DUAL BODY 3/8IN BSPP T10A	\$178
YFV	DUAL BODY 1/2IN BSPP T10A	\$178
YFW	DUAL BODY 3/4IN BSPP T10A REL	\$240
YGK	DUAL 7/8IN UNO C/W SHUTTLE	\$286
YGU	DUAL 3/8IN BSPP C/W SHUTTLE	\$286
YGV	DUAL 1/2IN BSPP C/W SHUTTLE	\$286
YHL	DUAL BODY 1 1/16IN UNO T2A	\$380
YHW	DUAL 3/4IN BSPP T2A	\$380
YIN	DUAL BODY 1 5/8IN UNO T16A	\$898
YJM	DUAL BODY 1 5/16IN UNO T17A	\$543
YJN	DUAL BODY 1 5/8IN ONO T17A	\$543
YJQ	BODY DUAL 1.25"SAE CODE 61 T17	\$818
YJW	BODY DUAL 3/4IN BSPP T17A	\$543
YJX	BODY DUAL 1IN BSPP T17A	\$543
YJY	BODY DUAL 1 1/4IN BSPP T17A	\$543
YKX	BODY DUAL T17A 1IN BSPP	\$684
YSQ	RECTIFIER BODY T5A	\$611
YSY	RECTIFER BODY T13A 3/8"BSPP	\$438
YTE	DUAL T2A C/B 2000 CHARLYN	\$554
YTF	BODY T2A CHARLYNN 2000	\$403
YVB	C/L RELIEF EATON H&S	\$292
YVL	CETOP8 DUAL T2A ON B	\$961
YVN	DUAL CROSS PILOTED T11A	\$392
YVU	DUAL T2A GASKET MOUNT 1/2"BSPP	\$594
YVV	DUAL T2A GASKET MOUNT 3/4" UNO	\$594
YVX	2 CAVITY GSKT MOUNT T11A	\$443
YXC	BODY X-LINE REL T10A H&S CHARL	\$292
Z6Q	CETOP3 DUAL T11A	\$462
ZBE/M	THROUGH PORT T18A 2" CODE 62	\$994
ZCJ/M	FLANGE MOUNT 1" CODE 61 T3A	\$398
ZDR	DIRECT MOUNT SAE62 T17A	\$392

Part Number	Description	List Price (ex GST)
ZGZ/M	BODY T10A 3/4IN CODE 61	\$331
ZJM	COVER PLATE CETOP 5H	\$157
ZJP	COVER PLATE CETOP 5	\$128
ZJR	COVER PLATE CETOP 3	\$117
ZJS	CETOP 3 COVER P-A & B-T	\$147
ZJT	CETOP 3 COVER P-B & A-T	\$152
ZKA	BODY T3A	\$461
ZKX	CETOP 3 BLOCK -SWAPS A & B	\$160
ZLP/M	BODY T19A SAE CODE 61 FL 2IN	\$792
ZLQ/M	BODY T19A SAE CODE 61 FL 2IN	\$732
ZLR/M	BODY T18A SAE CODE 61 FL 2IN	\$678
ZMK/M	THROU PORT 3/4SAE CODE 61 T11A	\$316
ZMX	THROU PORT T19A 1.50" CODE 61	\$916
ZNC/M	DIRECT MOUNT T11A 3/4IN CODE61	\$183
ZNV/M	BODY 3/4IN SAE DIRECTMOUNT T2A	\$226
ZNW	BODY 1IN SAE CODE 61 T17A	\$356
ZNX/M	DIRECT MOUNT T19A 1.25" CODE61	\$535
ZNY	BODY 1.5IN SAE CODE 61 T19A	\$693
ZNY/M	BODY 1.5" CODE 61 T19A	\$693
ZPF	T2A CHARLYNN 2000 DIR MOUUNT	\$341
ZPH	LOAD CONT ON B T2A 2000 CHARLY	\$325
ZPI	BODY T2A CHARLYNN 2000 DIR MOU	\$325
ZQC	BODY SAE-20 CODE61 T16A	\$576
ZQJ/M	BODY 3/4IN BSPP 1" CODE 61 T3A	\$375
ZRK	BODY SAE6 T11A NIPPLE MOUNT	\$216
ZTB	ADAPTOR CETOP5 SWAPS A & B	\$175
ZTC	BODY GSKT MT 3/4IN UNO T11A	\$244
ZTD	BODY GSKT MT 3/8IN BSPP T11A	\$244
ZTD/V	BODY GSKT MT 3/8IN BSPP T11A	\$244
ZTG	BODY GSKT MT T2A SAE-8	\$362
ZTH	BODY GSKT MT 1/2IN BSPP T2A	\$362
ZTJ	BODY GASKET MT T17A	\$498
ZTK	GASKET MOUNT T17A 1 5/16 UNO	\$498
ZTN	BODY GSKT MT 3/8IN NPT T11A	\$244
ZVB	MANIFOLD CETOP3TAPIN 1/4INBSPP	\$138
ZVC	MANIFOLD SUN CETOP3TAPIN BLOCK	\$138
ZVD	MANIFOLD CETOP 5 TAP IN	\$164
ZVE	MANIFOLD CETOP5 TAPPING BLOCK	\$179
ZVT	ADAPTOR CETOP 5 TO 3	\$279
Steel Bodies		
AAI/S	90 LINE MNT 9/16IN UN O T162A	\$126
AAJ/S	90 LINE MNT 3/4IN UNO T162A	\$153
AAT/S	90 LINE MNT 1/4IN BSPP T162A	\$126

Part Number	Description	List Price (ex GST)
ACI/S	INLINE MOUNT 9/16IN UNO T162A	\$138
ACT/S	INLINE MOUNT 1/4IN BSPP T16A	\$138
AEI/S	THRU PORT 9/16IN UNO T162A	\$174
AEU/S	THRU PORT 3/8IN BSPP T162A	\$174
AYI/S	DUAL X-PORT 9/16IN UNO T162A	\$267
B2K/S	BODY T2A W/REV-CK 7/8IN UNO	\$594
B2W/S	BODY T2A C/W REV FLO CHK PR RE	\$594
B4L/S	BODY T2A C/W REV FLO CHK	\$594
B4W/S	BODY T2A C/W REV FLO CHK	\$594
BAL/S	BODY 1 1/16IN UNO T2A	\$317
BAW/S	BODY 3/4IN BSPP T2A	\$317
BB2/S	CETOP5 BODY T2A C/W REV CHCK	\$1,095
BB3/S	CETOP5 T2A C/W REV FF CHK	\$1,095
BB3/Y	CETOP5 T2A INTO B C/W CHECK	\$1,109
BB9/Y	CETOP5 T2A ON A&B C/W CHECKS	\$1,542
BBA/S	BODY CETOP5 T2A SG IRON	\$588
BBA/T	BODY CETOP5 T2A SG IRON	\$588
BBB/S	BODY CETOP5 T2A	\$588
BBP/W	CETOP5 T2A STEEL & VITON	\$563
BBY/S	CETOP5 DUAL T2A	\$1,036
BBY/Y	CETOP5 DUAL T2A C/W VITON	\$1,036
BCK/S	BODY 7/8IN UNO T2A STEEL	\$260
BCL/S	BODY 1 1/16IN UNO T2A	\$260
BCV/S	BODY 1/2IN BSPP T2A	\$260
BCW/S	BODY 3/4IN BSPP T2A STEEL	\$260
BFW/S	DUAL BODY 3/4BSPP T2A	\$294
BHV/S	BODY T2A THRU PORT	\$416
BK2/S	CETOP 7 RED C/W REV FF CHK	\$2,073
BK2/Y	CETOP 7 T17A C/W CHECK	\$2,088
BK7/S	CETOP7 T17A C/W CHECK	\$2,180
BKB/S	BODY CETOP7 C/B SAND	\$1,554
BKJ/S	CETOP T17A C/W CHECK	\$2,168
BKJ/Y	BODY ISO 07 T17A C/W FF CHK	\$2,184
BKP/T	BODY CETOP 7 T-17A SANDWICH	\$1,600
BKY/S	CETOP7 DUAL A & B T17A	\$2,302
BKY/Y	CETOP7 DUAL T17A C/W VITON	\$2,304
BVL/S	BODY INLINE 1 1/16IN UNO T2A	\$488
BYZ/S	DUAL T2A CETOP5 VITON	\$1,199
BYZ/Y	DUAL STEEL T2A CETOP5 VITON	\$1,199
CAJ/S	BODY 1/2IN UNO T3A SAE 8 STEEL	\$170
CAL/S	BODY 1 1/16IN UNO T3A	\$178
CAV/S	BODY 1/2IN BSPP T3A	\$178
CAW/S	BODY 3/4IN BSPP T3A	\$178
CAX/S	BODY 1IN BSPP T3A STEEL	\$351
CBD/S	DUAL T10A CETOP 5 A&B TO T	\$596

Part Number	Description	List Price (ex GST)
CBE/S	CETOP 5 T10A RELIEF P to T	\$591
CBP/S	CETOP 5 T3A HI-FLOW P to T	\$514
CDB/S	BODY CETOP 8 B to T T3A	\$1,022
CDP/S	BODY CETOP 8 P to T T3A	\$920
CDW/S	CETOP8 DUAL T16A	\$1,467
CEL/S	BODY 1 1/16IN UNO T3A	\$318
CEM/S	BODY 1 5/16IN UNO T3A	\$430
CEW/S	BODY 3/4IN BSPP STEEL	\$318
CES/S	BODY RPGC 1IN BSPP T3A STEEL	\$430
CKY/S	CETOP7 DUAL T10A X/PORTS	\$1,032
CMW/S	BODY T3A XLINE REL C/W CHK	\$1,305
CNW/S	BODY T3A C/W REV FF CHK	\$589
DAJ/S	BODY 90 DEG SAE8 T5A STEEL	\$178
DAV/S	BODY 1/2IN BSPP T5A	\$178
DBC/S	BODY CETOP 5 T5A BLEED to T	\$538
DBP/S	BODY ON P t5A	\$490
DCK/S	BODY 7/8IN UNO T5A	\$196
DJT/S	CETOP 5H T5A	\$744
DJZ/S	CETOP5 H T16A HIGH-FLOW	\$1,603
DKT/Y	CETOP 7 ON 'T' T16A SG IRON	\$1,466
E2K/S	BODY 7/8IN UNO C/W REV F/FL T1	\$423
E2V/S	BODY 1/2IN BSPP C/W REV F/FL T	\$423
E4U/S	BODY STEEL T11A C/W CHK	\$423
E4V/S	BODY STEEL C/W HI-FL-CHK	\$423
E5V/S	BODY 1/2IN BSPP T11A C/W REV C	\$573
EAK/S	BODY 7/8IN UNO T11A	\$219
EAU/S	BODY 3/8IN BSPP T11A	\$219
EB2/S	STEEL BODY T11A C/W REV FF CHK	\$883
EB3/S	CETOP3 T11A C/W REV FF CHK	\$846
EBA/S	CETOP 3 C/BAL T11A	\$450
EBP/S	CETOP3 REDUCING T11A	\$512
EBS/S	BODY STEEL	\$604
EBY/S	CETOP 3 DUAL T11A	\$771
EBY/Y	CETOP 3 DUAL T11A	\$771
ECA/A	BODY STAINLESS STEEL	\$920
ECC/S	BODY 1/2IN NPT T11A	\$169
ECH/S	BODY T11A	\$169
ECI/S	BODY SAE-6 T11A	\$169
ECJ/S	BODY SAE-8 T11A (STEEL)	\$169
ECK/S	BODY 7/8IN UNO T11A (STEEL)	\$169
ECT/A	BODY 1/4IN BSPP T11A S/STEEL	\$920
ECT/S	BODY 1/4IN BSPP T11A STEEL	\$169
ECU/A	BODY 3/8IN BSPP T11A S/STEEL	\$920
ECU/S	BODY 3/8IN BSPP T11A STEEL	\$169
ECV/S	BODY 1/2IN BSPP T11A STEEL	\$169

Part Number	Description	List Price (ex GST)
EDJ/S	C/B SINGLE BLOCK	\$236
EFU/S	3/8 MANIFOLD BODY T11A IRON	\$215
EFV/S	BODY T11A C/W GAUGE PORT	\$215
EJV/S	BODY T11A 1/2IN BSPP	\$230
EPJ/S	DUAL LOAD CONTROL T11A C/W CHE	\$1,440
EPV/S	DUAL LOAD CONTROL T11A C/W CHK	\$1,440
ERU/S	CETOP3 T11A SUB PLATE	\$607
FAI/S	BODY 9/16IN UNO T10A	\$146
FAK/S	BODY 7/8IN UNO T10A	\$178
FAL/S	BODY 1 1/16IN UNO T10A	\$178
FAT/S	BODY 1/4IN BSPP T10A STEEL	\$146
FAU/S	BODY 3/8IN BSPP T10A STEEL	\$146
FAV/S	BODY 1/2IN BSPP T10A STEEL	\$178
FAW/S	BODY T10A STEEL 3/4IN BSPP 90D	\$178
FBA/T	CETOP3 T10A SG IRON	\$420
FBP/T	CETOP3 T10A BSPP GAUGE PT	\$376
FBX/S	CETOP 3 DUAL T10A	\$675
FBY/S	CETOP3 DUAL T10A	\$530
FEK/S	BODY 7/8IN UNO T10A	\$199
FEU/S	BODY 3/8IN BSPP T10A	\$199
FEV/S	BODY 1/2IN BSPP T10A	\$199
FMK/S	BODY CR/LINE REL C/W CHK	\$936
FNK/S	BODY 7/8IN UNO T10A C/W REV FL	\$437
GAI/S	BODY 9/16IN UNO T13A	\$146
GAJ/S	BODY 3/4IN UNO T13A	\$146
GAT/S	BODY STEEL T13A 1/4 BSPP	\$146
GAU/S	BODY 3/8IN BSPP T13A STEEL	\$146
GAV/S	BODY 1/2IN BSPP T13A STEEL	\$188
GBA/S	CETOP3 T13A	\$396
GBA/Y	CETOP 3 RESTRICTOR T13A	\$396
GBD/S	CETOP3 T5A HI-CAPACITY	\$566
GBO/S	CETOP3 HIGH FLOW	\$544
GBP/S	CETOP3 T13A	\$358
GBS/S	BODY T13A STEEL	\$289
GBY/S	CETOP3 DUAL T13A METER IN	\$466
GBZ/S	CETOP3 DUAL T5A METER IN HI CA	\$701
GCI/S	BODY 9/16IN UNO T13A	\$146
GCJ/S	BODY 3/4IN UNO T13A	\$146
GCU/S	BODY 3/8 BSPP T13A	\$146
GDA/S	CETOP3 BODY T13A	\$396
GDP/S	CETOP3 CHECK ON P T13A	\$358
H3M/S	BODY THRU PORT T17A C/W CHECK	\$1,389
H4M/S	BODY T17A HI-CAPACITY C/W CHK	\$1,353
HBP/S	CETOP8 SAND BODY T17A	\$1,768

Part Number	Description	List Price (ex GST)
HCM/S	BODY SAE 16 STEEL T17A	\$607
HCN/S	BODY 1 5/8IN UNO T17A	\$607
HCX/S	BODY 1IN BSPP T17A STEEL	\$607
HCY/S	BODY 1.25IN BSPP T17A STEEL	\$607
HDX/S	BODY T17A 1" BSPP	\$730
HEM/S	BODY 1 5/16IN UNO T17A	\$722
HGP/S	T17A 1.00INSAE CODE 61 W-SHUTT	\$963
HHM/S	BODY THROUGH PORT T17A	\$673
HNX/S	DUAL LOAD CTRL C/W CHECKS	\$3,135
IAN/S	BODY 1 5/8IN UNO T16A	\$476
IAR/T	BODY 1.5IN CODE 61 T16A	\$1,144
IAX/S	BODY T16A 90 DEG 1IN BSPP STEE	\$476
ICN/S	BODY 1 5/8IN UNO T16A	\$476
ICW	BODY 3/4IN BSPP T16A	\$259
ICY/S	BODY 1 1/4IN BSPP T16A	\$476
IEN/S	BODY 1 5/8IN UNO T16A	\$593
IEW/S	BODY STEEL T16A	\$593
INN/S	BODY T16A C/W REV CHECK	\$1,105
JCI/S	BODY 90 LINE MNT 9/16IN UNO T1	\$156
JCT/S	BODY 90 LINE MNT 1/4IN BSPP T1	\$156
JCU/S	BODY T163A 3/8IN BSPP	\$156
JYI/S	BODY DUAL X-PORT 9/16IN UNO T1	\$338
JYU/S	BODY DUAL X-PORT 3/8IN BSPP T1	\$338
KC4/T	BODY T19A 1.0IN SAE CODE 62	\$1,051
KC5/S	BODY T19A	\$1,173
KCR/T	BODY T19A 1.5IN SAE CODE 61	\$1,283
KCY/S	BODY STEEL T19A 1.25IN BSPP	\$828
KER/S	BODY STEEL T19A 1.5IN CODE 61	\$1,617
KEY/S	BODY 1 1/4IN BSPP T19A STEEL	\$1,070
LAR/S	BODY 1.1/2IN SAE61 T18A STEEL	\$1,229
LAX/S	BODY 1IN BSPP T18A	\$789
LAY/S	BODY 1 1/4IN BSPP T18A	\$789
LE6/S	BODY 1.1/2IN SAE62 T18A STEEL	\$1,846
MAI/S	BODY T21A STEEL 9/16IN UNO	\$261
MAK/S	BODY T21A STEEL 7/8IN UNO	\$261
MAT/S	BODY T21A STEEL 1/4" BSPP	\$261
MAV/S	BODY 1/2IN BSPP T21A STEEL	\$261
MBY/S	BODY CETOP 3 DUAL T21A	\$1,209
MMK/S	BODY 7/8IN UNO T31A STEEL	\$228
MMU/S	BODY 3/8IN BSPP T31A	\$228
MMV/S	BODY 1/2IN BSPP T31A STEEL	\$228
MNK/S	BODY T31A 7/8IN UNO 4 PORT	\$295
MPK/S	BODY T61A 7/8IN UNO	\$486
NAL/S	BODY 1 1/16IN UNO T22A STEEL	\$347
NAW/S	BODY 3/4IN BSPP T22A STEEL	\$347

Part Number	Description	List Price (ex GST)
NBA/S	CETOP5 T22A On AtoT	\$916
NBY/S	CETOP5 DUAL T22A Vents to T	\$1,461
NJA/S	CETOP5H T22A	\$1,092
NJY/S	CETOP5H T22A DUAL	\$1,685
NKY/S	CETOP7 DUAL T23A	\$2,770
NKY/Y	CETOP7 DUAL T23A C/W VITON	\$2,771
NMV/S	BODY 1/2IN BSPP T32A STEEL	\$420
NMW/S	BODY 3/4IN BSPP T32A STEEL	\$420
PAM/S	BODY UNO T23A STEEL	\$758
PAP/T	BODY UNO T23A STEEL	\$1,000
PAX/S	BODY 1IN BSPP T23A STEEL	\$758
PAY/S	BODY 1.1/4 BSPP T23A STEEL	\$758
PM4/T	BODY T33A 1.00IN SAE CODE 62	\$1,186
PML/S	BODY 1 1/16IN UNO T33A STEEL	\$692
PMM/S	BODY 1 5/16IN UNO T33A STEEL	\$692
PMW/S	BODY 3/4IN BSPP T33A	\$692
PMX/S	BODY 1IN BSPP T33A STEEL	\$692
PPX/S	BODY 1IN BSPP T63A	\$943
QC5/T	BODY STEEL 1 1/4IN SAE CODE 62	\$1,214
QCS/T	BODY STEEL 2.0IN SAE CODE 61	\$1,418
QCY/S	BODY STEEL 11/4BSPP T24A	\$1,149
QMN/S	BODY 1 5/8IN T34A	\$1,429
QMY/S	BODY F/DIV T34A	\$1,429
VCW/S	DUAL BODY 3/4BSPP T10A	\$546
VTL/S	2 CYL SEQ DIR ACT T17A 1"BSPP	\$1,270
VZO/S	DUAL T22A WITH 1 GASKET PORT	\$1,644
W5A/S	DUAL CETOP5 T2A A&B X PILOT	\$1,018
W6L/S	DIR MOUNT 1IN SAE CODE 62 T19A	\$1,040
W9B/S	BODY T2A WITH BANJO BOLT	\$455
W9C/S	BODY T2A WITH BANJO BOLT	\$444
WCC/S	ISO 5 T17A RED/REL ON P STEEL	\$1,311
WFO/S	BODY 9/16IN UNO T8A STEEL	\$176
WFQ/S	BODY 3/8IN BSPP T8A STEEL	\$176
WFO/S	BODY 1/4IN BSPP T9A STEEL	\$218
WFW/S	BODY 3/8IN BSPP T9A STEEL	\$218
WGZ/T	BODY CODE62 1.1/4IN T24A STEEL	\$1,428
WPE/S	BODY T11A NIPPLE MOUNT 3/4UNO	\$466
WRP/S	STEEL BODY T11A THROUGH PORT	\$413
WSO/S	BODY T2A	\$570
WTX/S	BODY T19A 1-5/8" UNO	\$1,154
WVF/S	DUAL C/L RELIEF OMS T10A	\$362
XEV/S	DUAL BODY T11A	\$444
XRL/S	DUAL BODY 1.5/16IN UNO T22A	\$637
XVK/S	INLINE BODY T11A 3/8IN BSPP	\$404
XVQ/S	DUAL T11A GASKET MTG 3/8IN BSP	\$613

Part Number	Description	List Price (ex GST)
XZP/S	DUAL T19A CODE61 1.1/2IN STEEL	\$3,543
XZP/T	DUAL T19A 1.5IN SAE CODE 61	\$3,543
XZQ/T	DUAL T19A C/W SHUTTLE	\$3,780
XZT/S	DUAL T11A GSKT MNT CROSS PILOT	\$478
YAJ/S	BODY DUAL 3/4 UNO T2A	\$425
YAK/S	DUAL BODY 7/8IN UNO T2A	\$425
YAL/S	DUAL BODY 1 1/16IN UNO T2A	\$425
YAV/S	DUAL BODY 1/2IN UNO T2A	\$425
YAW/S	DUAL BODY 3/4BSPP T2A	\$476
YBJ/S	DUAL BODY 3/4IN UNO T3A	\$410
YBK/S	DUAL BODY 7/8IN UNO T3A	\$410
YCM/S	DUAL BODY 1 5/16 IN UNO T3A	\$884
YCX/S	DUAL 1IN BSPP T3A STEEL	\$884
YEJ/S	DUAL BODY 3/4IN UNO T11A	\$308
YEK/S	DUAL BODY 7/8IN UNO T11A	\$308
YEV/S	DUAL BODY 1/2IN BSPP T11A	\$308
YFK/S	DUAL BODY 7/8IN UNO T10A	\$327
YFV/S	DUAL BODY 1/2IN BSPP T10A	\$327
YGK/S	DUAL 7/8IN UNO C/W SHUTTLE	\$512
YGT/S	CROSS PILOT WITH SHUTTLE	\$512
YGU/S	DUAL 3/8IN BSPP C/W SHUTTLE	\$512
YHL/S	DUAL BODY 1 1/16IN UNO T2A	\$653
YHW/S	DUAL 3/4IN BSPP T2A	\$653
YIN/S	DUAL BODY 1 5/8IN UNO T16A	\$1,649
YJM/S	DUAL BODY 1 5/16IN UNO T17A	\$996
YJP/S	DUAL T17A 1.25IN SEA CODE 61	\$1,512
YJW/S	DUAL 3/4 BSPP T17A STEEL	\$996
YJX/S	DUAL BODY 1IN BSPP T17A	\$996
YKN/S	DUAL BODY 1 5/8IN UNO T17A	\$1,172
YKY/S	BODY DUAL T17A 1 1/4IN BSPP	\$1,172
YSJ/S	RECTIFIER BODY T16A	\$1,940
YTV/S	DUAL T11A CHAR LYNN H & S	\$718
ZCT/T	THROU PORT .75"CODE 62 T10A	\$602
ZDQ/T	T19A 1.5" CODE 62 DIRECT MOUNT	\$1,300
ZDR/T	DIRECT MOUNT METRIC SAE62	\$718
ZFD/S	LINE MOUNT T19A BODY	\$1,236
ZFD/T	BODY LINE MOUNT BODY SG IRON	\$1,236
ZFT/S	BODY 1 1/2IN SAE FLANGE MOUNT	\$1,347
ZJT/S	CETOP 3 COVER P-B & A-T	\$262
ZKA/S	BODY T3A	\$843
ZKM/S	MANIFOLD CETOP 5 TAP IN	\$550
ZKS/S	BODY T5A DIR/MNT CODE 61	\$410
ZMP/S	BODY 1IN SAE SANDWICH MOUNT T2	\$738
ZNW/S	BODY 1" SAE CODE 61 T17A STEEL	\$652

Part Number	Description	List Price (ex GST)
ZNX/S	BODY 1.5" SAE CODE 61 T19A	\$980
ZRM/S	BODY 3/4IN UNO T2A NIPPLE MT	\$593
ZST/S	ADAP STEEL 02H EUR CETOP5	\$624
ZTD/S	GASKET MT.3/8INBSPP T11A	\$447
ZTH/S	BODY GSKT MT 1/2IN BSPP T2A	\$662
ZTK/S	BODY GASKET MT T17A	\$913
ZTN/S	BODY GASKET MT 3/8IN NPT T1	\$447
ZVC/S	MANIFOLD CETOP 3 TAP IN	\$235
<b>Aluminium Assemblies</b>		
X2CD LAN CA - 224	CETOP 3 FLO CONT. METER OUT	\$1,110
XRCM LAN HA	VALVE CETOP 3 UNL/REL NO COIL	\$1,324
XRCM LAN HA- 224	VALVE CETOP 3 SOL OP VENTED	\$1,398
XRCX LAN HK	VALVE VENTABLE RELIEF NO COIL	\$756
XRDC LNN AL	HOT OIL SHUTTLE & RELIEF	\$838
XREX LAN HL	VALVE VENTED RELIEF NO COIL	\$860
XREX LBN CL- 224	VALVE VENTED RELIEF C/W COIL	\$902
XREX LCN HL	VALVE VENTED RELIEF NO COIL	\$836
XRFB LCN A4/T	HYDROSTATIC TRANS V/V 1IN F	\$2,516
XRFI LAN HA/M- 224	VENTABLE RELIEF ASSY CETOP7	\$1,821
XRGX LAN HN	VALVE VENTED RELIEF NO COIL	\$1,034
XRGX LAN HX	VALVE VENTED RELIEF NO COIL	\$1,034
XRGX LAN HP- 223	SOLENOOP VENTED RELIEF 240LPM	\$1,676
XRGX LCN HX/S	SOL VENTED RELIEF ASSY 1	\$1,639
XRGX LEN HX- 224	VENTABLE RELIEF 1.0IN BSPP	\$1,357
XRHB LCN AQ	HYDROSTATIC TRANS V/V 1.25IN	\$3,171
XRIX LAN C8/M	VENTABLE REL N/C 2" CODE 62	\$3,103
XRIX LAN H6/M- 224	VLV VENTABLE REL 1.5IN CODE 61	\$2,657
XRIX LCN C6/M- 225	VLV VENTABLE REL 1.5IN CODE 61	\$2,555
XRIX LDN H6/M- 224	VLV VENTABLE REL 1.5IN CODE 61	\$2,555
XRJC LNN AR	HOT OIL SHUTTLE & RELIEF ASSY	\$3,455
XRPK LAN HW 212	VALVE VENTED RELIEF SOL	\$1,196
YCCW LHN AV	DUAL C/B C/W RELIEF	\$1,365
YCHE XAN AW	ACCUMULATOR DUMP ASSEMBLY	\$866
YCHE XAN AX	ACCUMULATOR DUMP VALVE	\$866
YCHE XCN AM	ACCUMULATOR DUMP ASSEMBLY	\$901
YCHE XCN AX	ACCUMULATOR DUMP ASSEMBLY	\$901
YDCA LHN AA	VALVE REGEN CETOP3	\$818
YDCA LIN AA	VALVE REGEN CETOP3	\$786
YDCC LHN AK	VALVE REGEN 60LPM 7/8UNO	\$540
YDCF XCN AA	VALVE CETOP3 B TO A REGEN F/T	\$734
YDEC LHN AL	VALVE REGEN 120LPM 1.1/16UNO	\$728
YDEC LIN AL	VALVE REGEN 120LPM 1.1/16UNO	\$702

Part Number	Description	List Price (ex GST)
YDED LHN AL	VALVE REGEN C/W LOADHLD CK 80L	\$1,047
YDED LHN AW	VALVE REGEN C/W LOADHLD CK 80L	\$1,047
YDEG LAN AL	VALVE REGEN C/W LOADHLD CK 80L	\$986
YDEP XCN AW	VALVE FULL TIME REGEN 3/4"BSPP	\$604
YDES LHN BA	VALVE REGEN CETOP5 B TO A	\$1,091
YDEV XCV BA	VALVE REGEN CETOP5 FULLTIME	\$968
YDFE LHN AB	VALVE REGEN CETOP7 A TO B	\$1,969
YDGC LHN AX	VLV REGEN P/S 240LPM 1IN BSPP	\$2,120
YDGD LHN AY	VLV REGEN P/S 200L 1.1/4BSPP	\$2,804
YDGK XCN AX	REGEN VALVE CETOP7	\$1,856
YDGL LHN AP	PR/SENSITIVE REGEN 1" CODE 61	\$2,424
YFCG LDN AA	CETOP 3 PRESSURE COMPENSATOR	\$649
YFCG XGN AA	CETOP 3 PRESSURE COMPENSATOR	\$632
YFCG XHN AA	CETOP 3 PRESSURE COMPENSATOR	\$632
YFCK XHN AA	PRES.COMP [BYPASS] CETOP3	\$730
YFCL XHN BU	PRES.COMP FOR PROPORTIONAL	\$768
YFCS LCN BJ	FLOW REG + RELIEF CETOP 3	\$835
YFCS LCN BU/M	FLOW REG + RELIEF CETOP 3	\$835
YFEJ LDN BA	PRES COMP CETOP5	\$917
YFEK LDN BB	PRES.COMP CETOP5.H	\$986
YFEK XHN BB	PRES.COMP CETOP5.H	\$1,021
YFEQ XHN BB	PRES COMP CETOP5	\$1,041
YFFE XHN AB	ISO 7 PRES COMPENSATOR NO EXT	\$1,554
YFFF XHN AB	CETOP 7 PR. COMPENSATOR	\$1,574
YRDC LAN AJ	MULTI RELIEF SELECTOR	\$1,207
YREM LAN LL- 1.0-LPM	FLOW REG. W/REL 1.1/16UNO	\$741
YREM LAN LW	FLOW REG. W/REL 5LPM 3/4 BSPP	\$757
YRES LAN AW	HI/LOW PUMP UNLOADER	\$1,039
YRGD LAN AQ	DUAL X-LINE RELIEF CHAR LYNN	\$965
YRGJ LAN AN	DOUBLE PUMP UNLOADING VALVE	\$1,770
YRGJ LAN AX	DOUBLE PUMP UNLOADING VALVE	\$1,770
YRGJ LAN AY	DOUBLE PUMP UNLOADING VALVE	\$1,770
<b>Steel Assemblies</b>		
XRCX LCN HU/S-224	VALVE VENTABLE RELIEF NC	\$971
XRCX LWN HV/S-224	VLV VENTABLE RELIEF 1/2IN BSPP	\$971
XRDC LNN AV/S	HOT OIL SHUTTLE & RELIEF	\$1,100
XREX LAN HL/S-223	VALVE VENTED RELIEF C/W COIL	\$1,192
XREX LAN HW/S-224	VALVE VENTED RELIEF C/W COIL	\$1,133
XRFB LCN AP/S	HYDROSTATIC TRANS V/V 1IN F	\$2,542
XRFC LNN AM/S	HOT OIL SHUTTLE & RELIEF	\$1,448
XRJC LNN AX/S	HOT OIL SHUTTLE & RELIEF	\$3,941

Part Number	Description	List Price (ex GST)
YDCC LHN AK/S	VALVE REGEN 60LPM 350 BAR	\$721
YDEC LHN AW/S	VALVE REGEN 120LPM 3/4INBSP	\$951
YDGC LHN AX/S	VALVE REGEN 240LPM 1IN BSPP	\$3,148
YFEJ LDN BA/S	PRES COMP CETOP5	\$1,397
YPCA LAN AA/S	VALVE ASSEMBLY	\$1,076
YREM LAN LL/S	FLOW REG. W/REL 5LPM 1.1/16UNO	\$1,040
YRES LWN AW/S	HI/LOW PUMP UNLOADER	\$1,394

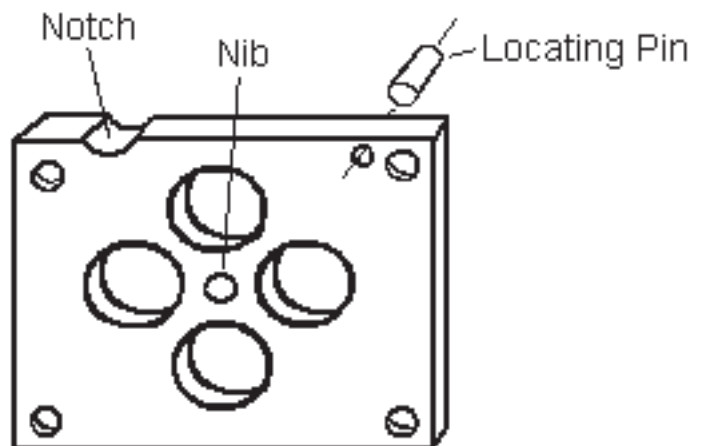
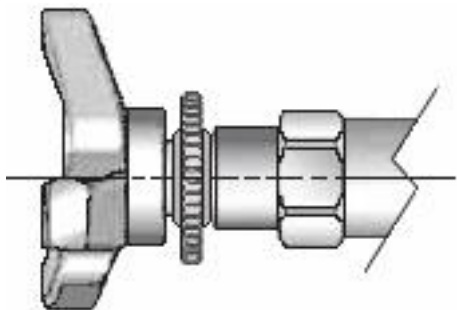
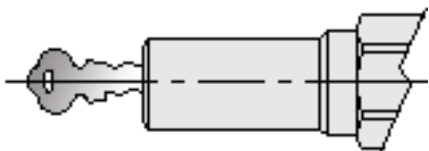
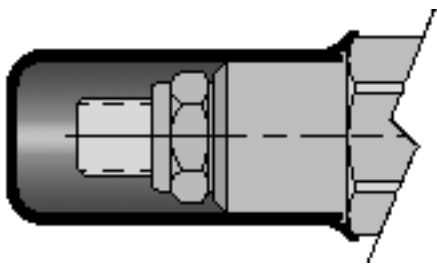


# Spare Parts and Accessories

Sun Hydraulics offers a wide range of spare parts and accessories to cater to your manifold, cartridge and electronic system requirements.

## Spare parts and accessories available include:

Snubbers, Adaptors and Line Fuses  
Cavity Plugs  
Cartridge Seal Kits  
Coil Seal Kits  
Studnuts and Studrods for Sandwich Manifolds  
Retainers and Seals for Sandwich Manifolds  
Cartridge Control Options and Kits  
Amplifiers and Amplifier Accessories  
Coils  
Coils with Embedded Electronics  
Deep Hex Sockets  
Embedded Electronics  
Tooling  
Cavity Adaptors



SEAL RETAINER PLATE



SEALS

Part Number	Description	List Price (ex GST)
280 017	ORIFICE PLATE UNDRILLED SER1	\$4
280 018	ORIFICE PLATE	\$104
280 023	ORIFICE PLATE SER3	\$6
280 024	ORIFICE PLATE	\$12
280 024 005	PLUG	\$28
280 026	ORIFICE PLATE UNDRILLED SER3	\$6
280 027	ORIFICE PLATE UNDRILLED SER2	\$4
280 027 070	ORIFICE PLATE 4.5LPM SER 2	\$16
280 027 204	ORIFICE 9.6GPM 36.34LPM SER 2	\$4
280 035	ORIFICE PLATE UNDRILLED SER4	\$9
280 045 000	ORIFICE SERIES O	\$5
375 011	NUT OPEN END PLASTIC	\$4
375 012	NUT CLOSED END PLASTIC	\$4
400 002 001	WIRE RETAINER SERIES 2	\$2
400 002 003	WIRE RETAINER SERIES 2	\$1
402 000 025	CIRCLIP SERIES 1	\$1
402 000 031	CIRCLIP SERIES 2	\$2
402 000 050	CIRCLIP SERIES 3	\$2
402 000 075	CIRCLIP SERIES 4	\$4
600 010	MAIN SPRING RPGE LCN	\$6
600 021	MAIN SPRING CBEH LKV	\$11
751 001 001	COIL 12VDC	\$110
751 001 003	COIL	\$137
751 012 007	COIL	\$111
751 012 008	STD COIL	\$147
751 012 009	STD COIL	\$111
760 211	COIL W/DIN CON 110VAC	\$157
760 212	COIL W/DIN CON 12VDC	\$122
760 223	COIL W/DIN CON 230VAC	\$157
760 224	COIL W/DIN CON 24VDC	\$122
760 248	COIL 48V DC	\$122
760 324	COIL 24V NFPA	\$239
760 712	COIL FLYING LEAD 12 VDC	\$110
760 724	COIL FLYING LEAD 24 VDC	\$110
770 211	COIL 50/60HZ 110VAC	\$134
770 212	COIL 12VDC ISO/DIN CONFIG	\$75
770 223	COIL 230VAC 50/60HZ DIN	\$134
770 224	COIL 24VDC ISO/DIN CONF	\$75
770 248	COIL 48VDC	\$85
770 299	COIL 120VDC	\$179
770 624	COIL 24V	\$73
770 712	COIL 12VDC TWIN LEAD	\$82
770 724	COIL 24VDC	\$82
770 812	METRIC PACK COIL 12VDC	\$91

Part Number	Description	List Price (ex GST)
770 824	METRIC PACK COIL 24VDC	\$91
770 848	48V SOLENOID	\$102
770 912	COIL 12VDC DEUTSCH	\$96
770 924	COIL 24VDC Deutsch	\$96
850 004 156	KOENIG PLUG 5/32IN EXPANDER	\$6
850 004 218	KOENIG PLUG 7/32IN EXPANDER	\$9
850 004 250	PLUG 1/4IN EXPANDER	\$12
850 005 008	PLUG 8MM EXPANDER	\$14
850 005 010	PLUG 10mm EXPANDER	\$14
990 002 007	SEAL KIT T2A SER 2	\$37
990 008 006	SEALKIT T8A SERIES P	\$31
990 008 007	SEAL KIT	\$24
990 009 006	SEAL KIT T9A SERIES P	\$35
990 010 006	SEAL KIT T10/13A 2 PORT SER1	\$31
990 010 007	SEAL KIT T10/13A 2 PORT SER1	\$24
990 011 006	SEAL KIT T11A 3 PORT SER 1	\$35
990 011 007	SEAL KIT T11A 3 PORT SER 1	\$27
990 016 006	SEAL KIT T16A 2 PORT SER 3	\$35
990 016 007	SEAL KIT T16A 2 PORT SER 3	\$27
990 017 006	SEAL KIT T17A 3 PORT SER 3	\$47
990 017 007	SEAL KIT T17A 3 PORT SER 3	\$29
990 018 006	SEAL KIT T18A 2 PORT SER 4	\$35
990 018 007	SEAL KIT T18A 2 PORT SER 4	\$27
990 019 006	SEAL KIT T19A 3 PORT SER 4	\$41
990 021 006	SEAL KIT T21A 4 PORT SER 1	\$44
990 022 006	SEAL KIT T22A 4 PORT SER 2	\$44
990 023 006	SEAL KIT T23A 4 PORT SER 3	\$50
990 023 007	SEAL KIT T23A 4 PORT SER 3	\$33
990 024 006	SEAL KIT T24A 4 PORT SER 4	\$55
990 024 007	SEAL KIT T24A 4 PORT SER 4	\$33
990 031 006	SEAL KIT T31A 4 PORT SER 1	\$38
990 032 006	SEAL KIT T32A 4 PORT SER 2	\$44
990 033 006	SEAL KIT T33A 4 PORT SER 3	\$89
990 034 006	SEAL KIT T34A 4 PORT SER 4	\$106
990 061 006	SEAL KIT T61A 6 PORT SER 1	\$56
990 062 006	SEAL KIT T62A 6 PORT SER 2	\$56
990 063 002	SEAL KIT T63A ROBUST SEALS	\$156
990 063 006	SEAL KIT T63A 6 PORT SER 3	\$112
990 064 002	SEAL KIT T64A ROBUST SEALS	\$156
990 064 006	SEAL KIT T64A 6 PORT SER 4	\$148
990 102 006	SEAL KIT T2A 3/32IN UP TO 1986	\$39
990 103 006	SEAL KIT T3/5A UP TO 1986	\$35
990 105 003	SEAL KIT CETOP3	\$22
990 106 003	RET PLATE & SEALS CETOP3	\$49
990 110 003	SEAL KIT ORING CETOP5	\$22

Part Number	Description	List Price (ex GST)
990 111 003	RET PLATE & SEALS CETOP5	\$49
990 117 006	SEAL KIT T17A ATMO VENT 3 PORT	\$33
990 119 006	SEAL KIT	\$36
990 120 004	SEAL KIT	\$22
990 120 009	RETAINER PLATE & SEALS US02H B	\$45
990 120 010	SV 02H KIT No 1	\$49
990 120 011	RETAINER PLATE & SEALS EU02H V	\$49
990 120 012	RETAINER PLATE & SEALS EU02H B	\$45
990 130 003	SEAL KIT ORING CETOP8	\$27
990 140 001	SEAL RETAINER CETOP7	\$40
990 140 002	SEAL KIT ORING CETOP7	\$27
990 162 006	SEAL KIT T162A	\$36
990 162 007	SEAL KIT	\$24
990 163 006	SEAL KIT T163A	\$38
990 163 007	SEAL KIT	\$27
990 202 006	SEAL KIT T2A 1986 ONWARD 1/16I	\$35
990 203 006	SEAL KIT T3 & 5A 1986 ONWARD	\$31
990 208 006	SEAL KIT	\$56
990 211 006	SEAL KIT T11A ATMO VENT	\$35
990 302 006	SEAL KIT T2A ATMO VENT	\$29
990 303 006	SEAL KIT T3A RDFA ONLY	\$40
990 308 006	SEAL KIT T8A DAAA ONLY	\$44
990 309 006	SEAL KIT T9A DBAA ONLY	\$48
990 310 006	SEAL KIT T10A RDDA ONLY	\$40
990 310 007	SEAL KIT T10A RDDA ONLY	\$33
990 316 006	SEAL KIT T16A RDHA ONLY	\$49
990 318 006	SEAL KIT T18A RDJA ONLY	\$49
990 411 006	SEAL KIT T11A DIR VALVES	\$70
990 413 006	SEAL KIT T13A DIR VALVES	\$68
990 431 006	SEAL KIT T31A DIR VALVES	\$42
990 760 006	SEAL KIT & NUT 760* COIL 'M'	\$15
990 760 008	SEAL KIT & NUT 760* COIL 'C'	\$15
990 770 006	SEAL KIT & NUT 770* COILS	\$26
991 000	SERIES O TAMPER PROOF COVER	\$40
991 001	SERIES 2 TAMPER PROOF COVER	\$40
991 002	SERIES 3 TAMPER PROOF COVER	\$40
991 003	SERIES 4 TAMPER PROOF COVER	\$40
991 004	SERIES I TAMPER RESIST COVER	\$40
991 005	CETOP5 SEAL RETAINER PLATE	\$27
991 008	CETOP5 RETAINER PLATE US 02H	\$27
991 009	CETOP5 RETAINER PLATE EUROPEA	\$42
991 013	CETOP3 SEAL RETAINER PLATE	\$27
991 022	MAXIMUM SET LIMITER KIT	\$38
991 032	SERIES 1 COVER (CB**,CC**)	\$23

Part Number	Description	List Price (ex GST)
991 033	SERIES 2 COVER (CB**,CC**)	\$36
991 034	HANDKNOB KIT 3 STAR - SER. 1-4	\$49
991 039	HANDKNOB KIT 3STAR - ALUMINIUM	\$53
991 064	R CAP CONTROL KIT S.S 316	\$76
991 111	KNOB BRASS FOR SUN CART	\$23
991 211	HANDKNOB KIT K	\$24
991 215	PANEL KNOB KIT 7/8" C/W M20 NU	\$34
991 216	KNOB PANEL KIT & 1IN 4NUT	\$59
991 219	KNOB KIT	\$29
991 220	KNOB KIT H CALIBRATED	\$34
991 221	KNOB H SPARE PART ONLY	\$26
991 222	KNOB KIT SERIES O	\$24
991 225	TWIST MAN.O'RIDE(T)	\$143
991 226	LOCK MAN.O'RIDE(L)	\$143
992 003	STUD KIT 1/4IN 20UNC BULK	\$714
992 003-B	THREADED ROD 1/4IN UNC	\$38
992 013	STUD KIT 10-24	\$714
992 013-B	THREADED ROD 3/16IN UNC	\$46
992 103	STUD KIT M6	\$756
992 103-B	THREADED ROD M6	\$34
992 113	STUD KIT M5	\$756
992 113-B	THREADED ROD M5	\$34
992 500	STUDNUT 1/4IN 20 KIT(PKT OF 50)	\$336
992 500-B	STUD NUT 1/4IN UNC	\$8
992 550	STUDNUT 10 24 KIT(PKT OF 50)	\$336
992 550-B	STUD NUT 3/16IN UNC	\$8
992 700	STUDNUT M6 (PKT OF 50)	\$420
992 700-B	STUD NUT M6	\$8
992 750	STUD NUT M5 (PKT OF 50)	\$420
992 750-B	STUD NUT M5	\$8
993 008	KEYLOCK KIT	\$190
A880031087	ELEMENT 3um SERIES 3 FLHA	\$485
A880101087	ELEMENT 10um SERIES 3 FLHA	\$485
K280 017 125-10	ORIFICE PLATE SERIES 1	\$158
K280027070-10	ORIFICE 4.5LPM PKT 10 PIECES	\$158

# Amplifiers and Accessories

## ELECTRO-PROPORTIONAL VALVES WITH ON-BOARD ELECTRONICS

Sun's new amplifiers with embedded electronics are built for easy assembly and to meet unique customer requirements. Offered in a wide range of control configurations and connector options, Sun's electro-hydraulic valves with embedded electronics are ideal for both mobile and industrial applications. With these products, valves can be mounted close to actuators for improved performance; system plumbing and wiring are simplified.

### Embedded amplifier features:

6 pin connector is IP 69K rated.

Amplifier assembly is ultrasonically welded and polyurethane potted for environmental protection.

Minimum and maximum outputs are separate and settable, with fully adjustable ramps.

CE approved.

Digital design – no potentiometers to set.

Valve assemblies can be supplied pre-set to customer specified parameters.

Parameters are changed via hand held programmer and infrared (IR) link – no need to disconnect wiring harness – settable “on the fly”.

Status LED's for visual confirmation.

9 - 28 volt operating range.



## HAND HELD PROGRAMMER

Sun's Hand Held Programmer (HHP) provides a convenient method to access configuration settings in the Digital Proportional Valve Amplifier, models C1V and C2A. Simply plug the appropriate adapter cable into the programmer, connect the cable adaptor to the amplifier and it is ready to use. Only four buttons are required to view and change parameters. An additional button turns the programmer unit on and off. The programmer is lightweight and compact for easy handling.



Part Number	Description	List Price (ex GST)
790-2B24A	COIL 24VDC EMB/AMP	\$887
790-2B24V	COIL 24VDC EMB/AMP	\$887
790-2C24V	COIL 24VDC EMB/AMP	\$909
790-2D24V	COIL 24VDC EMB/AMP	\$909
790-2F24V	COIL 24VDC EMB/AMP	\$760
991 703	ADAPTOR CABLE INFRARED	\$260
991-700	PROGRAMMER, HAND HELD	\$498
991-702	ADAPTOR CABLE INFRA-RED EMB/AM	\$260
C1V06A	AMPLIFIER 600mA SUIT 24 VOLT	\$1,136
C1V12A	AMPLIFER 1200mA SUIT 12 VOLT	\$1,136

# About Sun Hydraulics

## Brief Company Overview

Sun Hydraulics is a leading designer and manufacturer of high-performance screw-in hydraulic cartridge valves, manifolds and integrated packages. Headquartered in Sarasota, Florida, Sun has operations in the United States, England, Germany, France, Korea, India and a joint venture company in China. In business since 1970 and a public company since 1997 (NASDAQ: SNHY), Sun sells its products globally, primarily through independent distributors, to diverse markets of mobile and industrial equipment and machinery manufacturers.



## Australian Distributorship

Sun Sales is an Australian distributor of the Sun Hydraulics product range.

# Notes

---

---

---

---

---

---

---

---

---

---

---

---

---

---

---

---

---

---

---

---

---

---

---



# Notes

---

---

---

---

---

---

---

---

---

---

---

---

---

---

---

---

---

---

---

---

---

---

---

---

---

---

---





# Notes

---

---

---

---

---

---

---

---

---

---

---

---

---

---

---

---

---

---

---

---

---

---

---

---

---

---

---

---

---





## Hydraulic Cartridges Australia

**Phone:** 1300 786 835

**International Phone:** +61 7 3307 8206

**Fax:** 02 9225 9938

**International Fax:** +61 2 9225 9938

**Email:** [sales@sunsales.com.au](mailto:sales@sunsales.com.au)

**Postal:** PO Box 1143 Eagle Farm QLD 4009

Custom Fluidpower Pty Limited Trading As HYDRAULIC CARTRIDGES AUSTRALIA (ABN 61 090 926 659)

**1300 786 835**  
**[www.sunsales.com.au](http://www.sunsales.com.au)**